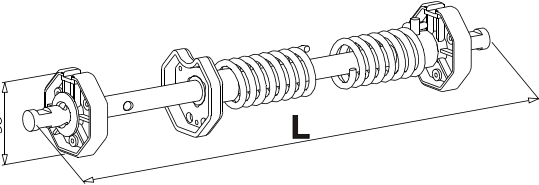
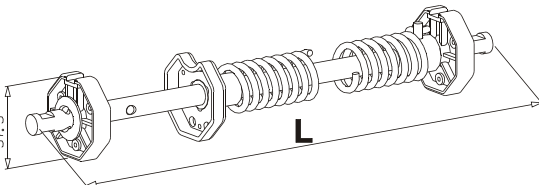
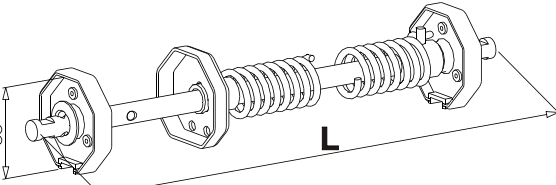
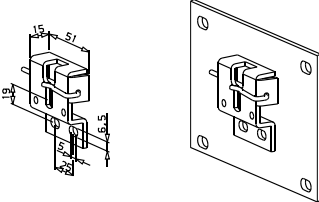




# Manual Accessories

## Rolling Shutter System

### Balance Springs and Supports

Item	Reference	Description
	<p><b>2002314</b></p>	<p><b>Balance spring 60mm</b></p> <ul style="list-style-type: none"> <li>- Nylon idle bearings</li> <li>- Zinc plated steel drive</li> <li>- Torque 44 lbs.</li> <li>- Max. rotations 9</li> <li>- Length 770mm</li> </ul> <p>- All dimensions are in millimeters. - Above load data is based on 60mm roller tube.</p>
	<p><b>2002369</b></p>	<p><b>Balance spring 60mm</b></p> <ul style="list-style-type: none"> <li>- Nylon idle bearings</li> <li>- Zinc plated steel drive</li> <li>- Torque 44 lbs.</li> <li>- Max. rotations 9</li> <li>- Length 770mm</li> </ul> <p>- All dimensions are in millimeters. - Above load data is based on 60mm roller tube.</p>
	<p><b>2002372</b></p>	<p><b>Balance spring 70mm</b></p> <ul style="list-style-type: none"> <li>- Nylon idle bearings</li> <li>- Zinc plated steel drive</li> <li>- Torque 66 lbs.</li> <li>- Max. rotations 11</li> <li>- Length 1010mm</li> </ul> <p>- All dimensions are in millimeters. - Above load data is based on 70mm roller tube.</p>
	<p><b>2003617</b></p> <p><b>2003638</b></p>	<p><b>Spring and Idle Supports</b></p> <p>Support for balance springs: 2002314, 2002369, 2002372 Support for idle inserts: 2003583, 2003592, 2003560</p> <ul style="list-style-type: none"> <li>- Galvanize Plating</li> </ul> <p>Same as above with a 100x100mm mounted plate</p> <ul style="list-style-type: none"> <li>- Zinc Plated</li> </ul>



# Manual Accessories Shutter System Idle and Gear Inserts

Item	Reference	Description
	<p><b>2003583</b></p>	<p><b>60mm Idle Insert</b></p> <ul style="list-style-type: none"> <li>- Black nylon rings</li> </ul>
	<p><b>2002376</b></p>	<p><b>60mm Gear Insert</b></p> <ul style="list-style-type: none"> <li>- 10mm output shaft</li> <li>- Black Zinc Plating</li> </ul>
	<p><b>2003592</b></p>	<p><b>60mm Idle Insert</b></p> <ul style="list-style-type: none"> <li>- Gray nylon rings</li> </ul>
	<p><b>2002374</b></p>	<p><b>70mm Gear Insert</b></p> <ul style="list-style-type: none"> <li>- 10mm output shaft</li> <li>- Black Zinc Plating</li> </ul>
	<p><b>2003560</b></p>	<p><b>70mm Idle Insert</b></p> <ul style="list-style-type: none"> <li>- Black nylon rings</li> </ul>
	<p><b>2003617</b></p> <p><b>2003638</b></p>	<p><b>Spring and Idle Supports</b></p> <ul style="list-style-type: none"> <li>- Support for balance springs: 2002314, 2002369, 2002372</li> <li>- Support for idle inserts: 2003583, 2003592, 2003560 Galvanize Plating</li> <li>- Same as above with a 100x100mm mounted plate, Zinc Plated</li> </ul>



# Manual Accessories Shutter System Idle and Gear Inserts

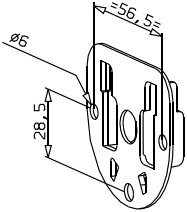
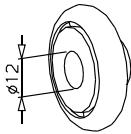
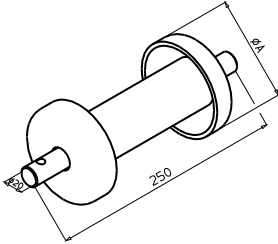

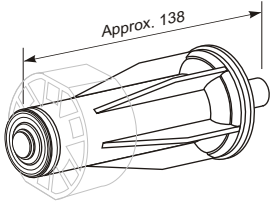
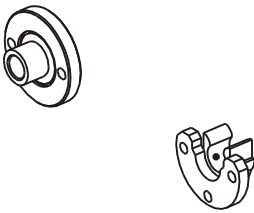
Item	Reference	Description
	<p><b>2003534</b> <b>2003467</b></p>	<p><b>60mm Gear Insert</b> - 13mm square input</p> <ul style="list-style-type: none"> <li>- Black composite</li> <li>- Cast aluminum</li> </ul>
	<p><b>2003535</b></p>	<p><b>60mm Idle Insert</b></p> <ul style="list-style-type: none"> <li>- 12mm zinc plated steel output shaft</li> <li>- Black composite</li> </ul>
	<p><b>2003389</b> <b>2005465</b></p>	<p><b>60mm Adjustable Idle Insert</b> - 12mm zinc plated steel output shaft</p> <ul style="list-style-type: none"> <li>- Black composite</li> <li>- Cast aluminum</li> </ul>
	<p><b>2003468</b></p>	<p><b>70mm Gear Insert</b></p> <ul style="list-style-type: none"> <li>- 13mm square input</li> <li>- Cast aluminum</li> </ul>
	<p><b>2003470</b></p>	<p><b>70mm Idle Insert</b></p> <ul style="list-style-type: none"> <li>- 12mm zinc plated steel output shaft</li> <li>- Cast aluminum</li> </ul>
	<p><b>2003390</b> <b>2003471</b></p>	<p><b>70mm Adjustable Idle Insert</b> - 12mm zinc plated steel output shaft</p> <ul style="list-style-type: none"> <li>- Black composite</li> <li>- Cast aluminum</li> </ul>



# Manual Accessories

## Shade / Shutter / Door Systems

### Miscellaneous

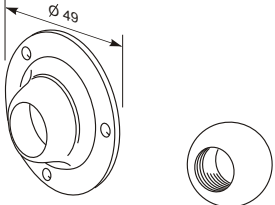
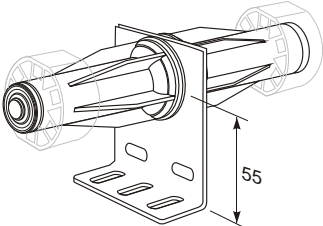
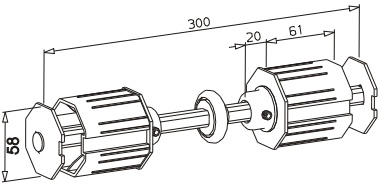
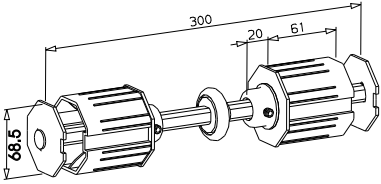
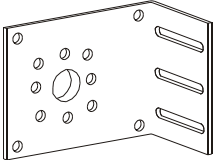
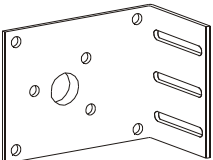
Item	Reference	Description
	<p><b>2003442</b></p> <p><b>2002644</b></p>	<p><b>Idle Support</b></p> <ul style="list-style-type: none"> <li>- Fits 42mm bearings: 2003448 and 2003447</li> <li>- Galvanized steel</li> <li>- Same as above on a 100mm x 100mm plate</li> </ul>
	<p><b>2003448</b></p> <p><b>2003447</b></p>	<p><b>Idle Bearings</b></p> <ul style="list-style-type: none"> <li>- 42mm bearing, 12mm center hole, nylon bushing</li> <li>- 42mm bearing, 12mm center hole, steel bushing</li> </ul>
	<p><b>9542008</b></p> <p><b>9542009</b></p> <p><b>9542012</b></p>	<p><b>Heavy Duty Steel Idler</b></p> <ul style="list-style-type: none"> <li>- 94mm OD</li> <li>- 97mm OD</li> <li>- 124mm OD</li> <li>- Sealed Bearings</li> <li>- Painted Steel</li> </ul>
	<p><b>2003939</b></p>	<p><b>Idle Insert for Shades</b></p> <ul style="list-style-type: none"> <li>- 50mm idle insert with a 10 mm fixed pin</li> <li>- Use only with 2003600 or 2003599</li> <li>- Cast aluminum</li> </ul>
	<p><b>9420800</b></p> <p><b>9420801</b></p>	<p><b>Adjustable Idle Insert for Shades</b></p> <ul style="list-style-type: none"> <li>- 50mm idle insert with a 10mm spring loaded shaft</li> <li>- 50mm idle insert with a 12mm spring loaded shaft</li> </ul>
	<p><b>2003600</b></p> <p><b>2003599</b></p>	<p><b>Idle Insert Bearings</b></p> <ul style="list-style-type: none"> <li>- Steel bearing for idle insert: 2003939</li> <li>- Nylon U bearing for idle insert: 2003939 or 9420800</li> </ul>



# Manual Accessories

## Shade / Shutter System

### Miscellaneous

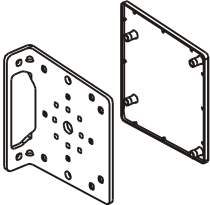
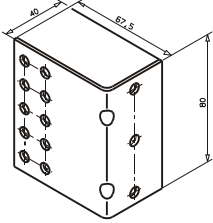
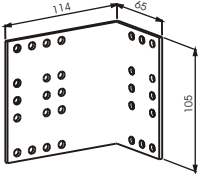
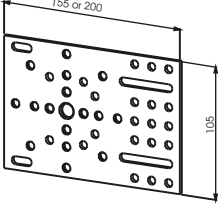
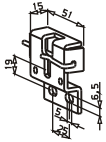
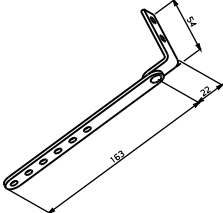
Item	Reference	Description
	<p><b>1781030</b></p> <p><b>9410803</b></p> <p><b>9028665</b></p>	<p><b>Shade Idle Support</b></p> <ul style="list-style-type: none"> <li>- Ball support, Zinc Plated Steel</li> <li>- Nylon ball, 10mm hole      Use with idle insert: 9420800</li> <li>- Nylon ball, 12mm hole      Use with idle insert: 9420801</li> </ul>
	<p><b>2005700</b></p>	<p><b>Shade Double Reel Insert</b></p> <ul style="list-style-type: none"> <li>- 2 inch double shade insert</li> </ul>
	<p><b>2003391</b></p> <p><b>2005466</b></p>	<p><b>Shutter Double Reel Insert</b></p> <ul style="list-style-type: none"> <li>- 60mm double shutter insert, black composite</li> <li>- 60mm double shutter insert, cast aluminum</li> </ul>
	<p><b>2003392</b></p> <p><b>2005467</b></p>	<p><b>Shutter Double Reel Insert</b></p> <ul style="list-style-type: none"> <li>- 70mm double shutter insert, black composite</li> <li>- 70mm double shutter insert, cast aluminum</li> </ul>
	<p><b>2003643</b></p>	<p><b>Shade Bracket</b></p> <ul style="list-style-type: none"> <li>- Motor side shade bracket, Black Zinc</li> <li>- For use with Type 5 motors</li> </ul>
	<p><b>2005609</b></p>	<p><b>Shade Bracket</b></p> <ul style="list-style-type: none"> <li>- Idle side shade bracket, Black Zinc</li> <li>- For use with idle support with ball: 9410803 and 9028665</li> </ul>



# Manual Accessories

## Shade / Shutter System

### Miscellaneous

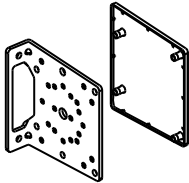
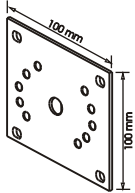
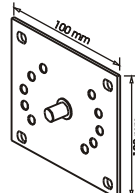
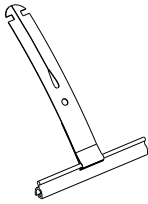
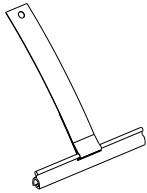
Item	Reference	Description
	<p>2003677</p> <p>2003683</p> <p>2003684</p>	<p><b>Shade Bracket, Aluminum</b></p> <p>White bracket cover</p> <p>Gray bracket cover</p>
	<p>2003622</p>	<p><b>Shutter Bracket</b></p> <ul style="list-style-type: none"> <li>- Small wall angle bracket</li> <li>- For use with wall plate: 2003611 or 2003612</li> <li>- Galvanized</li> </ul>
	<p>2003623</p>	<p><b>Heavy Duty Shutter Bracket</b></p> <ul style="list-style-type: none"> <li>- Large wall angle bracket</li> <li>- For use with wall plate: 2003611 or 2003612</li> <li>- Galvanized</li> </ul>
	<p>2003611</p> <p>2003612</p>	<p><b>Wall Bracket Extension Plate</b></p> <ul style="list-style-type: none"> <li>- Small extension plate, use with 2003622 or 2003623</li> <li>- Large extension plate, use only with 2003623</li> <li>- Both plates are Galvanized</li> </ul>
	<p>2003617</p>	<p><b>Idle / Spring Support</b></p> <ul style="list-style-type: none"> <li>- Support for extension plates: 2003611 or 2003612</li> <li>- Galvanized</li> </ul>
	<p>2003616</p>	<p><b>Idle Insert Bearings</b></p> <ul style="list-style-type: none"> <li>- Upper support for extension plates: 2003611 or 2003612</li> </ul>



# Manual Accessories

## Shade / Shutter System

### Miscellaneous

Item	Reference	Description
	<p>2003677</p> <p>2003683</p> <p>2003684</p>	<p><b>Gear Shade Bracket, Aluminum</b></p> <p>White bracket cover</p> <p>Gray bracket cover</p>
	<p>9850198</p>	<p><b>Shutter Gear Plate</b></p> <ul style="list-style-type: none"> <li>- 100x100mm side frame plate, no center pivot pin</li> <li>- For use with 1424 series gears</li> <li>- Zinc Plated</li> </ul>
	<p>2003639</p>	<p><b>Shutter Gear Plate</b></p> <ul style="list-style-type: none"> <li>- 100x100mm side frame plate, with center pivot pin</li> <li>- For use with 1424 series gears</li> <li>- Zinc Plated</li> </ul>
	<p>2003352</p> <p>2003354</p> <p>2003358</p>	<p><b>Slat Hanger Clip Attachment</b></p> <ul style="list-style-type: none"> <li>- L=130mm - mini</li> <li>- L=170mm - mini</li> <li>- L=190mm - maxi</li> </ul>
	<p>2003361</p> <p>2003362</p> <p>2003349</p>	<p><b>Slat Hanger Screw Attachment</b></p> <ul style="list-style-type: none"> <li>- L=130mm - mini</li> <li>- L=170mm - mini</li> <li>- L=190mm - maxi</li> </ul>