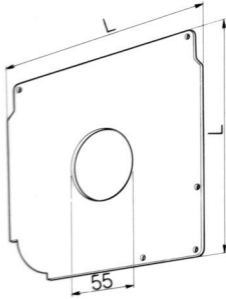
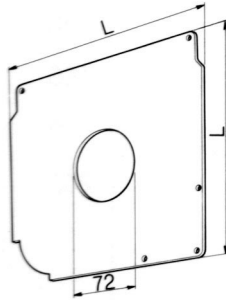
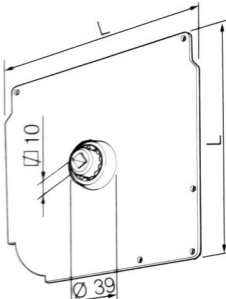


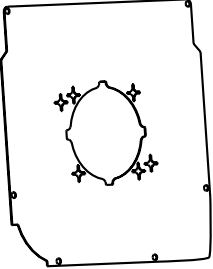
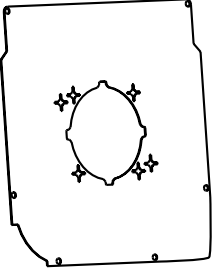
Piastre e Flange di contenimento
Abweisbleche und Arretierscheiben
Plaques-console et Flasques de guidage
Safety plates and Guide Flanges

Piastr e Flange di contenimento
 Abweisbleche und Arretierscheiben
 Plaques-console et Flasques de guidage
 Safety plates and guide Flanges



12

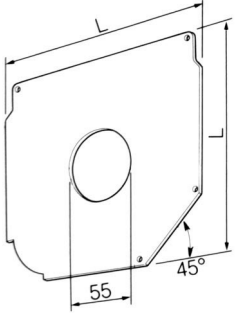
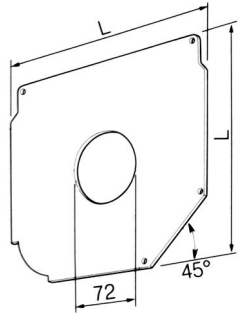
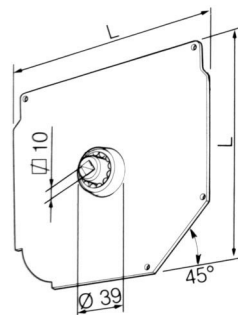
Tipo Typ / Type / Type	Codice Art / Ref / Item	Dimensioni (mm) Abmessungen (mm) Dimensions (mm) Dimensions (mm)	Note Anmerkungen / Notes / Notes	per fianco Für Blendenkappe Pour console For end cap	Imballo Verpackung Condition Packing
PIASTRA DI CONTENIMENTO 90° ABWEISBLECH 90° PLAQUE-CONSOLE 90° SAFETY PLATE 90° 	6A3.3510/FZ 6A3.3512/FZ 6A3.3513/FZ 6A3.3515/FZ 6A3.3516/FZ 6A3.3518/FZ 6A3.3520/FZ 6A3.3525/FZ	L = 97 L = 122 L = 134 L = 147 L = 162 L = 177 L = 202 L = 250	FERRO ZINCATO FORO Ø55 MM VERZINKTER STAHL BOHRUNG Ø55 MM ACIER GALVANISE TROU Ø55 MM GALVANIZED STEEL HOLE Ø55 MM	100 mm 125 mm 137 mm 150 mm 165 mm 180 mm 205 mm 250 mm	100 100 100 100 100 100 100 50
PIASTRA DI CONTENIMENTO 90° ABWEISBLECH 90° PLAQUE-CONSOLE 90° SAFETY PLATE 90° 	6A3.3813/FZ 6A3.3815/FZ 6A3.3816/FZ 6A3.3818/FZ 6A3.3820/FZ 6A3.3825/FZ	L = 134 L = 147 L = 162 L = 177 L = 202 L = 250	FERRO ZINCATO FORO Ø72 MM VERZINKTER STAHL BOHRUNG Ø72 MM ACIER GALVANISE TROU Ø72 MM GALVANIZED STEEL HOLE Ø72 MM	137 mm 150 mm 165 mm 180 mm 205 mm 250 mm	100 100 100 100 100 50
PIASTRA DI CONTENIMENTO 90° ABWEISBLECH 90° PLAQUE-CONSOLE 90° SAFETY PLATE 90° 	6A3.3412/DFZ 6A3.3413/DFZ 6A3.3415/DFZ 6A3.3416/DFZ 6A3.3418/DFZ 6A3.3420/DFZ 6A3.3412/SFZ 6A3.3413/SFZ 6A3.3415/SFZ 6A3.3416/SFZ 6A3.3418/SFZ 6A3.3420/SFZ	L = 122 L = 134 L = 147 L = 162 L = 177 L = 202 L = 122 L = 134 L = 147 L = 162 L = 177 L = 202	FERRO ZINCATO CON CUSCINETTO Ø36 MM PER MANOVRA DEPORTATA VERZINKTER STAHL MIT KUGELLAGER Ø36 MM FÜR AUSSEN LIEGENDEN ANTRIEB ACIER GALVANISE AVEC ROULEMENT A BILLES Ø36 MM POUR MANOEUVRE DEPORTEE GALVANIZED STEEL WITH BALL BEARING Ø36 MM FOR EXTERIOR OPERATION /D... DESTRA - RECHTS - DROITE - RIGHT /S... SINISTRA - LINKS - GAUCHE - LEFT	125 mm 137 mm 150 mm 165 mm 180 mm 205 mm 125 mm 137 mm 150 mm 165 mm 180 mm 205 mm	50 50 50 50 50 50 50 50 50 50 50 50

Tipo Typ / Type / Type	Codice Art / Ref / Item	Dimensioni (mm) Abmessungen (mm) Dimensions (mm) Dimensions (mm)	Note Anmerkungen / Notes / Notes	Imballo Verpackung Condition Packing
PIASTRA DI CONTENIMENTO 90° ABWEISBLECH 90° PLAQUE-CONSOLE 90° SAFETY PLATE 90° 	6A3.3512/FC6	L = 125	PER SUPPORTO 6D3.5415 FÜR LAGER 6D3.5415 POUR SUPPORT 6D3.5415 FOR BRACKET 6D3.5415	100
	6A3.3513/FC6	L = 137		100
	6A3.3515/FC6	L = 150		100
	<div style="background-color: black; color: white; padding: 5px; text-align: center; font-weight: bold;">NEW</div>		FERRO ZINCATO - FORO Ø55 MM VERZINKTER STAHL - BOHRUNG Ø55 MM ACIER GALVANISE - TROU Ø55 MM GALVANIZED STEEL - HOLE Ø55 MM	
PIASTRA DI CONTENIMENTO 90° ABWEISBLECH 90° PLAQUE-CONSOLE 90° SAFETY PLATE 90° 	6A3.3813/FC6	L = 125	PER SUPPORTO 6D3.5415 FÜR LAGER 6D3.5415 POUR SUPPORT 6D3.5415 FOR BRACKET 6D3.5415	100
	6A3.3815/FC6	L = 150		100
	6A3.3816/FC6	L = 165		100
	6A3.3818/FC6	L = 180		100
	<div style="background-color: black; color: white; padding: 5px; text-align: center; font-weight: bold;">NEW</div>	L = 205	FERRO ZINCATO - FORO Ø72 MM VERZINKTER STAHL - BOHRUNG Ø72 MM ACIER GALVANISE - TROU Ø72 MM GALVANIZED STEEL - HOLE Ø72 MM	100

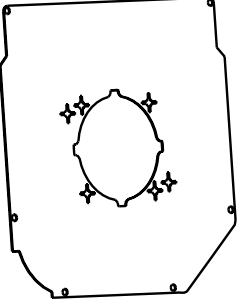
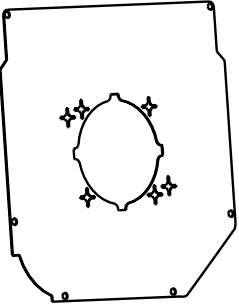
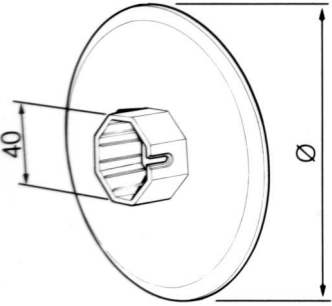
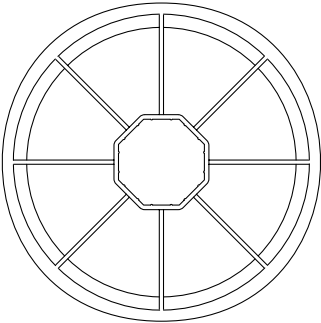
Piastr e Flange di contenimento
 Abweisbleche und Arretierscheiben
 Plaques-console et Flasques de guidage
 Safety plates and guide Flanges



12

Tipo Typ / Type / Type	Codice Art / Ref / Item	Dimensioni (mm) Abmessungen (mm) Dimensions (mm) Dimensions (mm)	Note Anmerkungen / Notes / Notes	per fianco Für Blendenkappe Pour console For end cap	Imballo Verpackung Condition Packing
PIASTRA DI CONTENIMENTO 45° ABWEISBLECH 45° PLAQUE-CONSOLE 45° SAFETY PLATE 45° 	6A3.3512/5FZ	L = 122	FERRO ZINCATO FORO Ø55 MM	125 mm	100
	6A3.3513/5FZ	L = 134	VERZINKTER STAHL BOHRUNG Ø55 MM	137 mm	100
	6A3.3515/5FZ	L = 147	ACIER GALVANISE TROU Ø55 MM	150 mm	100
	6A3.3516/5FZ	L = 162	GALVANIZED STEEL HOLE Ø55 MM	165 mm	100
	6A3.3518/5FZ	L = 177		180 mm	100
	6A3.3520/5FZ	L = 202		205 mm	100
PIASTRA DI CONTENIMENTO 45° ABWEISBLECH 45° PLAQUE-CONSOLE 45° SAFETY PLATE 45° 	6A3.3813/5FZ	L = 134	FERRO ZINCATO FORO Ø72 MM	137 mm	100
	6A3.3815/5FZ	L = 147	VERZINKTER STAHL BOHRUNG Ø72 MM	150 mm	100
	6A3.3816/5FZ	L = 162	ACIER GALVANISE TROU Ø 72 MM	165 mm	100
	6A3.3818/5FZ	L = 177		180 mm	100
	6A3.3820/5FZ	L = 202		205 mm	100
PIASTRA DI CONTENIMENTO 45° ABWEISBLECH 45° PLAQUE-CONSOLE 45° SAFETY PLATE 45° 	6A3.3412/D5FZ	L = 122	FERRO ZINCATO CON CUSCINETTO Ø36 MM PER MANOVRA DEPORTATA	125 mm	50
	6A3.3413/D5FZ	L = 134		137 mm	50
	6A3.3415/D5FZ	L = 147	VERZINKTER STAHL MIT KUGELLAGER Ø36 MM FÜR AUSSEN LIEGENDEN ANTRIEB	150 mm	50
	6A3.3416/D5FZ	L = 162		165 mm	50
	6A3.3418/D5FZ	L = 177	ACIER GALVANISE AVEC ROULEMENT A BILLES Ø 36 MM POUR MANOEUVRE DEPORTEE	180 mm	50
	6A3.3420/D5FZ	L = 202		205 mm	50
	6A3.3412/S5FZ	L = 122	GALVANIZED STEEL WITH BALL BEARING Ø36 MM FOR EXTERIOR OPERATION	125 mm	50
	6A3.3413/S5FZ	L = 134		137 mm	50
	6A3.3415/S5FZ	L = 147		150 mm	50
	6A3.3416/S5FZ	L = 162		165 mm	50
6A3.3418/S5FZ	L = 177		180 mm	50	
6A3.3420/S5FZ	L = 202		205 mm	50	

/D... DESTRA - RECHTS - DROITE - RIGHT
 /S... SINISTRA - LINKS - GAUCHE - LEFT

Tipo Typ / Type / Type	Codice Art / Ref / Item	Dimensioni (mm) Abmessungen (mm) Dimensions (mm) Dimensions (mm)	Note Anmerkungen / Notes / Notes	Imballo Verpackung Condition Packing
PIASTRA DI CONTENIMENTO 45° ABWEISBLECH 45° PLAQUE-CONSOLE 45° SAFETY PLATE 45° 	6A3.3512/5FC6 6A3.3513/5FC6 6A3.3515/5FC6 NEW	L = 125 L = 137 L = 150	PER SUPPORTO 6D3.5415 FÜR LAGER 6D3.5415 POUR SUPPORT 6D3.5415 FOR BRACKET 6D3.5415 FERRO ZINCATO - FORO Ø55 MM VERZINKTER STAHL - BOHRUNG Ø55 MM ACIER GALVANISE - TROU Ø55 MM GALVANIZED STEEL - HOLE Ø55 MM	100 100 100
PIASTRA DI CONTENIMENTO 45° ABWEISBLECH 45° PLAQUE-CONSOLE 45° SAFETY PLATE 45° 	6A3.3813/5FC6 6A3.3815/5FC6 6A3.3816/5FC6 6A3.3818/5FC6 6A3.3820/5FC6 NEW	L = 125 L = 150 L = 165 L = 180 L = 205	PER SUPPORTO 6D3.5415 FÜR LAGER 6D3.5415 POUR SUPPORT 6D3.5415 FOR BRACKET 6D3.5415 FERRO ZINCATO - FORO Ø72 MM VERZINKTER STAHL - BOHRUNG Ø72 MM ACIER GALVANISE - TROU Ø72 MM GALVANIZED STEEL - HOLE Ø72 MM	100 100 100 100 100
FLANGIA DI CONTENIMENTO ARRETIERSCHEIBE FLASQUE DE GUIDAGE QUIDE FLANGE 	6D5.4104 6D5.4105 6D5.4107 6D5.4109	Ø 140 Ø 155 Ø 170 Ø 190	PLASTICA PER RULLO OTTAGONALE 40 mm KUNSTSTOFF FÜR ACHTKANTWELLE 40 mm PLASTIQUE POUR AXE OCTOGONAL 40 mm PLASTIC FOR OCTAGONAL REEL 40 mm	200 200 100 100
FLANGIA DI CONTENIMENTO ARRETIERSCHEIBE FLASQUE DE GUIDAGE QUIDE FLANGE 	6D5.3063 6D5.3073	Ø 19 Ø 22	PLASTICA PER RULLO OTTAGONALE 60 mm KUNSTSTOFF FÜR ACHTKANTWELLE 60 mm PLASTIQUE POUR AXE OCTOGONAL 60 mm PLASTIC FOR OCTAGONAL REEL 60 mm	50 50