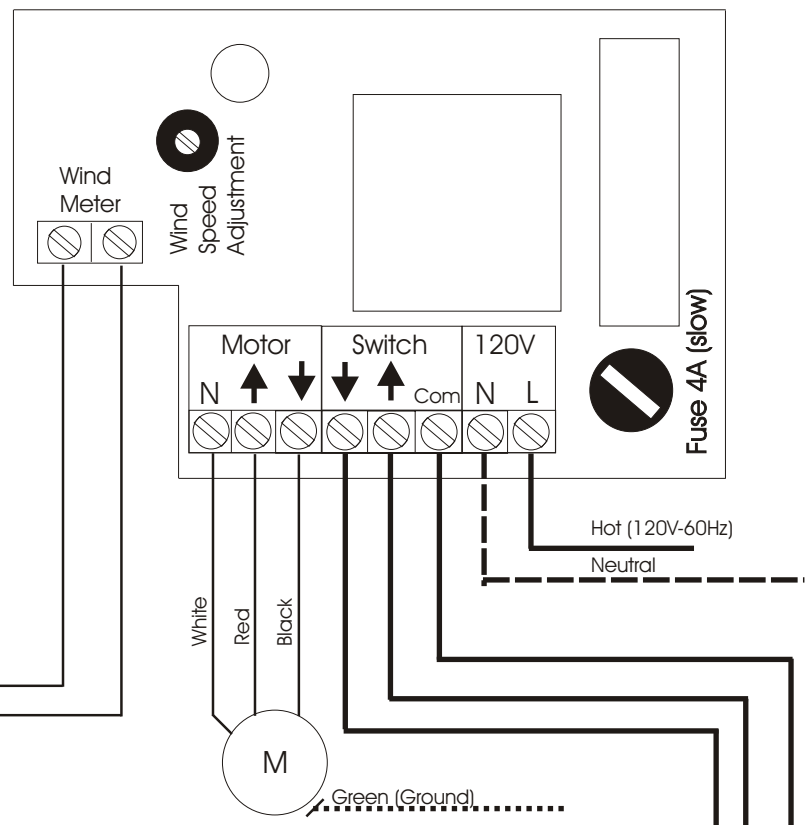
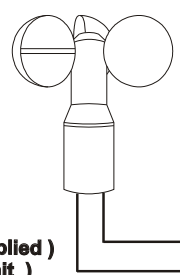


CONNECTIONS TO RC200

- 1 - Ground (Green)
 - 2 - No Connection
 - 3 - Neutral
 - 4 - Connect to Switch Com
- Warning: do not connect 4 to Neutral**
- 5 - Direction 1
 - 6 - Direction 2
 - 7 - No Connection
- *8 & 9 N. C. Reversing Sensor
 - 10 & 11 Remote Override Switch (SPBS)
 - 12 - Coax Antenna Connection (not supplied)
 - 13 - Standard Antenna (supplied with unit)



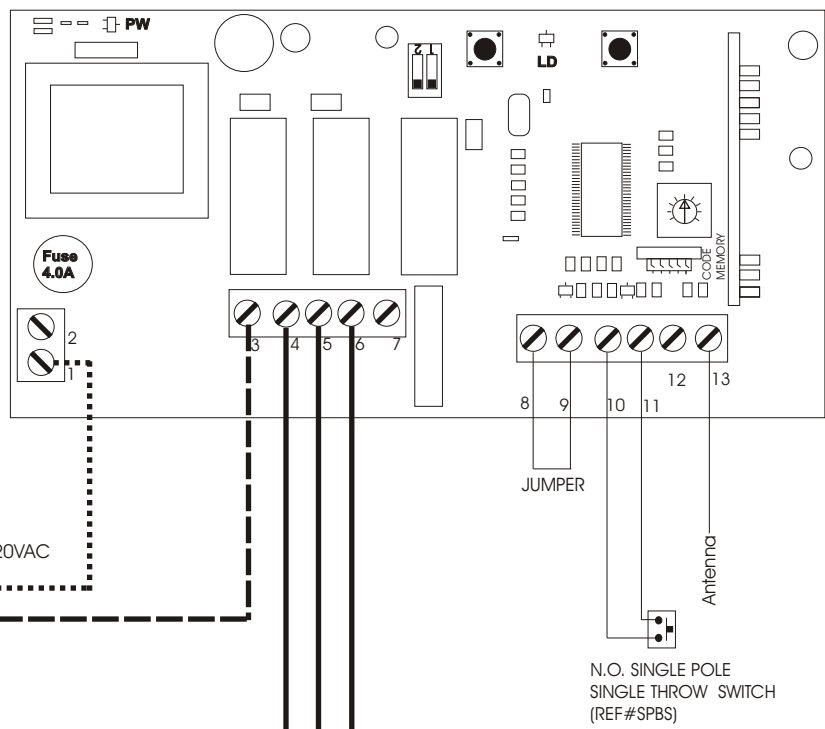
*** NOTE:**

If you are not using a safety device a jumper wire must be connected to terminals 8 & 9.

Do not cut antenna wire supplied with this unit.

Turn the wind speed adjustment down to minimum. Spin the wind sensor and confirm the windy activates in the correct direction. If the windy activates the motor in the wrong direction at a wind signal, reverse the red and black motor leads. Remember to turn the wind speed adjustment back up after testing.

RC200 Receiver



POWER IN 120VAC
GROUND.....
NEUTRAL - - - -

N.O. SINGLE POLE
SINGLE THROW SWITCH
(REF#SPBS)