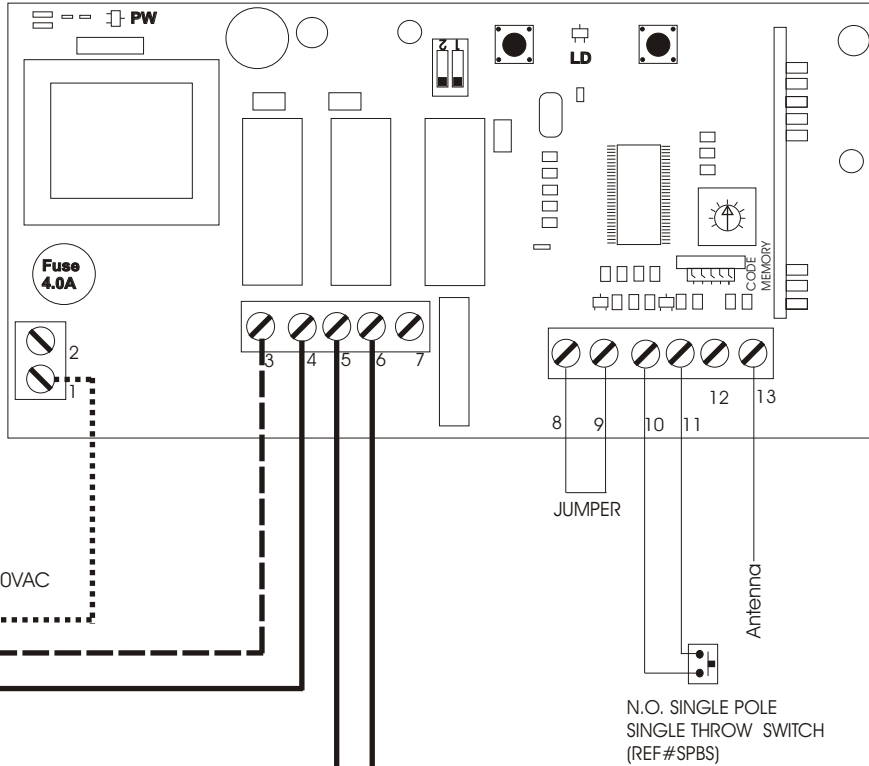




RC200 Receiver

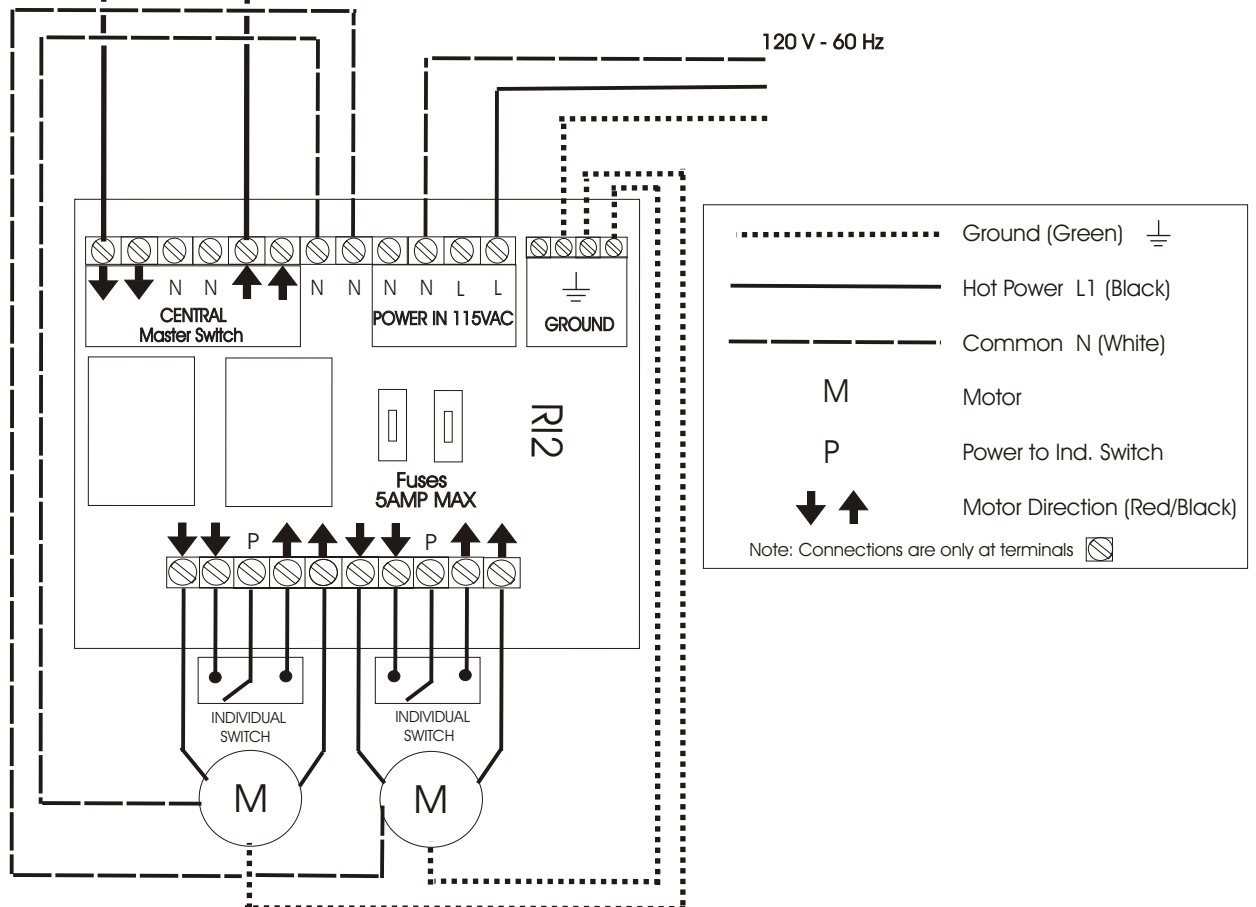


- 1 - Ground (Green)
 - 2 - Ground (Green)
 - 3 - Neutral
 - 4 - Hot 120VAC
 - 5 - Direction 1 (Black)
 - 6 - Direction 2 (Red)
 - 7 - Common (White)
 - *8 & 9 N. C. Reversing Sensor
 - 10 & 11 Remote Override Switch (SPBS)
 - 12 - Coax Antenna Connection (not supplied)
 - 13 - Standard Antenna (supplied with unit)
- * NOTE: If you are not using a safety device a jumper wire must be connected to terminals 8 & 9.

POWER IN 120VAC
 GROUND
 NEUTRAL
 HOT

Do not cut antenna wire supplied with this unit.

N.O. SINGLE POLE
 SINGLE THROW SWITCH
 (REF#SPBS)



	Ground (Green) \perp
	Hot Power L1 (Black)
	Common N (White)
	Motor
	Power to Ind. Switch
	Motor Direction (Red/Black)

Note: Connections are only at terminals