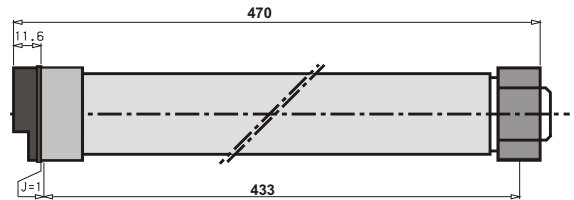
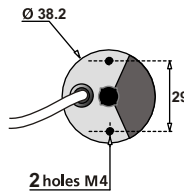




Operators Type 3.5 12/24 DC and 120V-60Hz AC

- Fits in 1.5" or 1.75" tube
- Progressive limit setting
- 8 feet of motor cable
- UL Recognized (120V)
- CSA Approved (120V)
- IP 44 Rated



Approximate shipping weight = 3 lb.

12 Volt Operators

Reference	Torque (in. lb./Nm)		Speed (rpm)	Watts	Amps	Limit Switch (max. turns)
2004981	26	3	30	32	2.6	40
2004983	52	6	15	32	2.6	40
2004987	88	10	10	41	3.4	40

24 Volt Operators

Reference	Torque (in. lb./Nm)		Speed (rpm)	Watts	Amps	Limit Switch (max. turns)
2004982	26	3	30	32	1.3	40
2004985	52	6	15	32	1.3	40
2004988	88	10	10	41	1.8	40

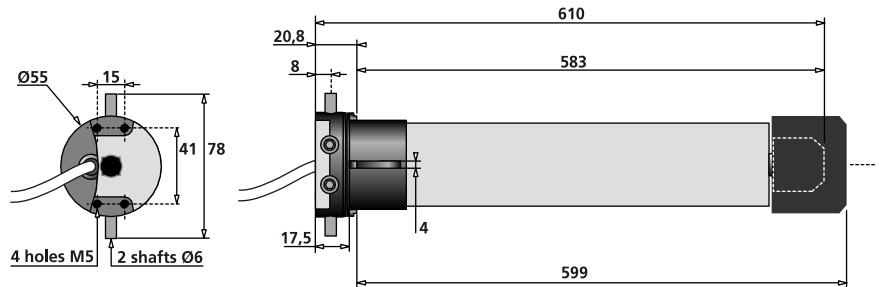
120 Volt Operators

Reference	Torque (in. lb./Nm)		Speed (rpm)	Watts	Amps	Limit Switch (max. turns)
2004351	35	4	30	100	1.0	40
2004371	52	6	14	105	1.0	40
2004372	79	9	14	135	1.2	40



Operators Type 5 12 and 24 Volt DC

- Diameter 47mm (2.0 in.)
- Progressive limit setting
- 8 feet of motor cable
- Long running time
- IP 44 Rated



Approximate shipping weight = 8 lb.

12 Volt Operators

Reference	Torque (in. lb./Nm)		Speed (rpm)	Watts	Amps	Limit Switch (max. turns)
2004492	130	15	15	60	5.1	30
2004493	176	20	10	57	4.6	30
2004494	305	35	6	54	4.5	30

24 Volt Operators

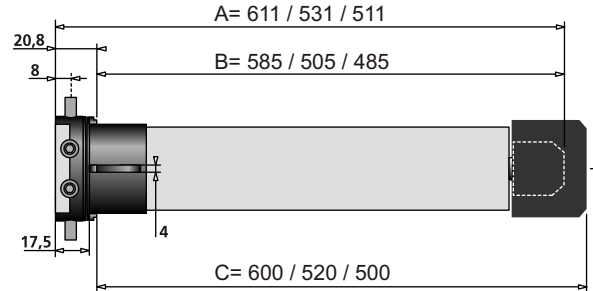
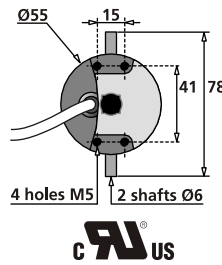
Reference	Torque (in. lb./Nm)		Speed (rpm)	Watts	Amps	Limit Switch (max. turns)
2004495	130	15	15	60	2.4	30
2004496	176	20	10	57	2.4	30
2004497	305	35	6	54	2.2	30

Ask us for our complete line of switches, remote controls, battery back-up systems and automatic control devices.



Operators Type 5 (120V - 60Hz) AC

- Diameter 47mm (2.0 in.)
- Progressive limit setting
- 8 feet of motor cable
- UL Recognized
- CSA Approved
- IP 44 Rated



Operators

Approximate shipping weight = 8 lb.

Dimension detail in millimeters

Reference	Dimensions			Torque		Speed (rpm)	Watts	Amps	Limit Switch (max. turns)	Run Time (minutes)
	A	B	C	(in. lb./Nm)						
2000644	531	505	520	44	5	35	110	1.0	28	5
2000645	611	585	600	88	10	35	150	1.3	28	5
2000649	511	485	500	88	10	12	80	0.7	28	5
2000646	531	505	520	132	15	18	130	1.1	28	5
2000650	531	505	520	176	20	12	130	1.1	28	5
2000647	611	585	600	220	25	18	180	1.6	28	5
2000651	611	585	600	264	30	12	170	1.5	28	5
2000648	611	585	600	308	35	18	250	2.1	28	5
2000652	611	585	600	352	40	12	210	1.8	28	5
2000653	611	585	600	440	50	12	210	2.1	28	5

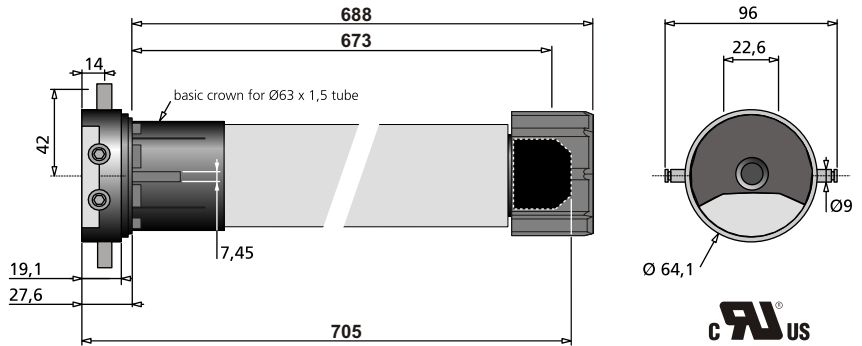
- 220 volt operators are available as a special order.

- All Simu 120V-60Hz AC operators come standard with a built in electric brake and limit switch.



Operators Type 6 (120V - 60Hz) AC

- Diameter 60mm (2.5 in.)
- Progressive limit setting
- 8 feet of motor cable
- UL Recognized
- CSA Approved
- IP 44 Rated



Approximate shipping weight = 12 lb.

Operators

Reference	Torque (in. lb./Nm)		Speed (rpm)	Watts	Amps	Limit Switch (max. turns)	Run Time (minutes)
2004339	220	25	54	430	3.8	22	4
2000985	530	60	14	285	2.5	22	4
2000986	704	80	14	390	3.4	22	4
2000987	880	100	14	430	3.8	22	4

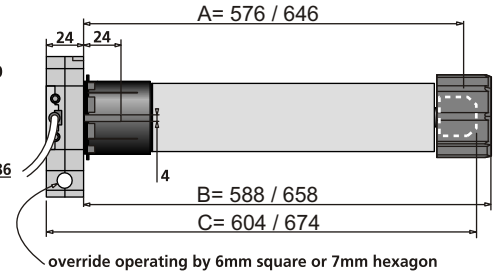
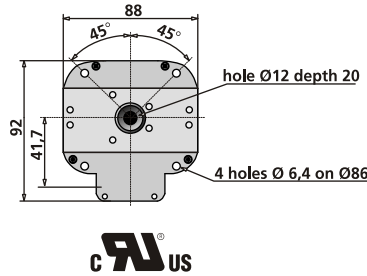
- 220 volt operators are available as a special order.

- All Simu 120V-60Hz AC operators come standard with a built in electric brake and limit switch.



Operators Type 5DMI Override (120V - 60Hz) AC

- Diameter 47mm (2.0 in.)
- Progressive limit setting
- 8 feet of motor cable
- UL Recognized
- CSA Approved
- IP 44 Rated



Operators

Approximate shipping weight = 9 lb.

Dimension detail in millimeters

Reference	Dimensions			Torque		Speed (rpm)	Watts	Amps	Limit Switch (max. turns)	Run Time (minutes)
	A	B	C	(in. lb./Nm)						
2000772	576	588	604	88	10	12	80	0.7	28	5
2000769	576	588	604	132	15	18	130	1.1	28	5
2000773	576	588	604	176	20	12	130	1.1	28	5
2000770	576	588	604	220	25	18	180	1.6	28	5
2000774	576	588	604	264	30	12	170	1.5	28	5
2000771	646	658	674	308	35	18	250	2.1	28	5
2000775	646	658	674	352	40	12	210	1.8	28	5
2000776	646	658	674	440	50	12	210	2.1	28	5

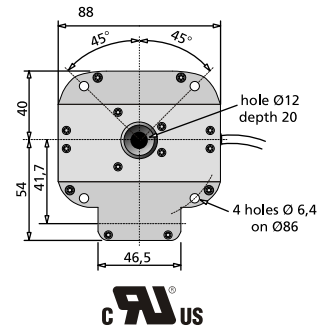
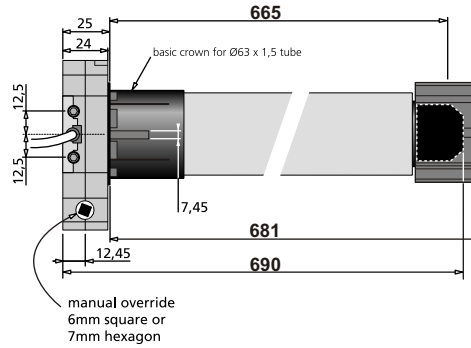
220 volt operators are available as a special order.

All Simu 120V-60Hz AC operators come standard with a built in electric brake and limit switch.



Operators Type 6DMI Override (120V - 60Hz) AC

- Diameter 60mm (2.5 in.)
- Progressive limit setting
- 8 feet of motor cable
- UL Recognized
- CSA Approved
- IP 44 Rated



Operators

Approximate shipping weight = 14 lb.

Reference	Torque (in. lb./Nm)		Speed (rpm)	Watts	Amps	Limit Switch (max. turns)	Run Time (minutes)
2001040	530	60	14	285	2.5	28	5
2001042	704	80	14	390	3.4	28	5
2001044	880	100	14	430	3.8	28	5

220 volt operators are available as a special order.

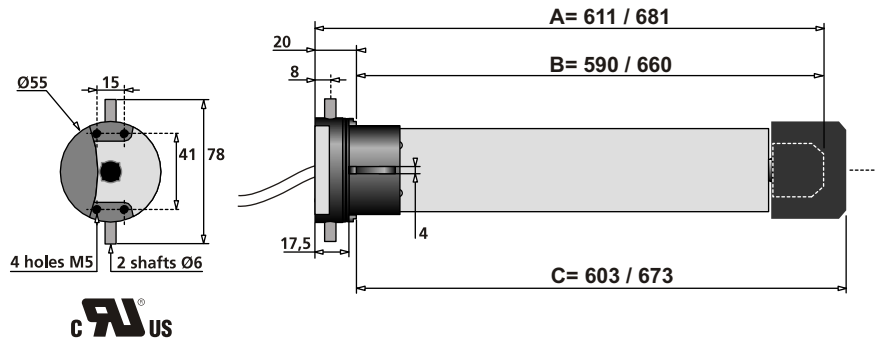
All Simu 120V-60Hz AC operators come standard with a built in electric brake and limit switch.



Operators Type 5 Hz-02 *Plus* (120V - 60Hz) AC



- Diameter 47mm (2.0 in.)
- Integrated radio
- Electronic limit setting
- 8 feet of motor cable
- UL Recognized
- CSA Approved
- FCC Approved
- IP 44 Rated



Operators

Approximate shipping weight = 9 lb.

Reference	Dimensions			Torque		Speed (rpm)	Watts	Amps	Limit Switch (rotation time)	Run Time (minutes)
	A	B	C	(in. lb./Nm)						
2005131	611	590	603	44	5	35	110	1.0	3 minutes	5
2005132	681	660	673	88	10	35	150	1.3	3 minutes	5
2006352	611	590	603	88	10	12	80	0.7	3 minutes	5
2005133	681	660	673	132	15	18	130	1.1	3 minutes	5
2006353	681	660	673	176	20	12	130	1.1	3 minutes	5
2005134	681	660	673	220	25	18	180	1.6	3 minutes	5
2005136	681	660	673	264	30	12	170	1.5	3 minutes	5
2005135	681	660	673	308	40	18	250	2.1	3 minutes	5
2005137	681	660	673	440	50	12	250	2.1	3 minutes	5

- 220 volt operators are available as a special order.

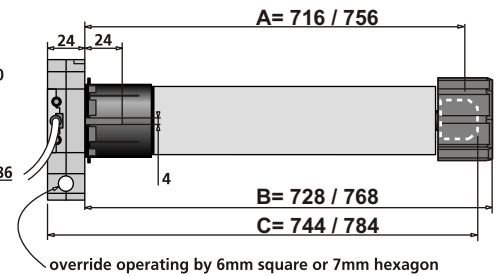
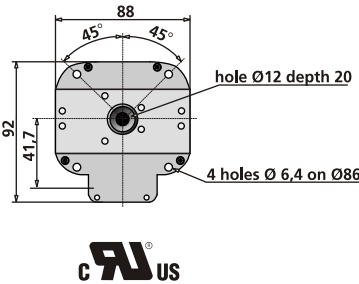
- All Simu 120V-60Hz AC operators come standard with a built in electric brake and limit switch.



Operators Type 5DMI Hz Override (120V - 60Hz) AC



- Diameter 47mm (2.0 in.)
- Integrated Radio
- Progressive limit setting
- 18 feet of motor cable
- UL Recognized
- CSA Approved
- FCC Approved
- IP 44 Rated



Operators

Approximate shipping weight = 10 lb.

Reference	Dimensions			Torque (in. lb./Nm)	Speed (rpm)	Watts	Amps	Limit Switch (max. turns)	Run Time (minutes)
	A	B	C						
2004240	716	728	744	132	15	130	1.3	28	5
2004244	756	768	784	220	25	180	1.6	28	5
2004242	756	768	784	264	30	170	1.5	28	5
2004241	756	768	784	308	35	250	2.1	28	5
2004243	756	768	784	440	50	250	2.1	28	5

220 volt operators are available as a special order.

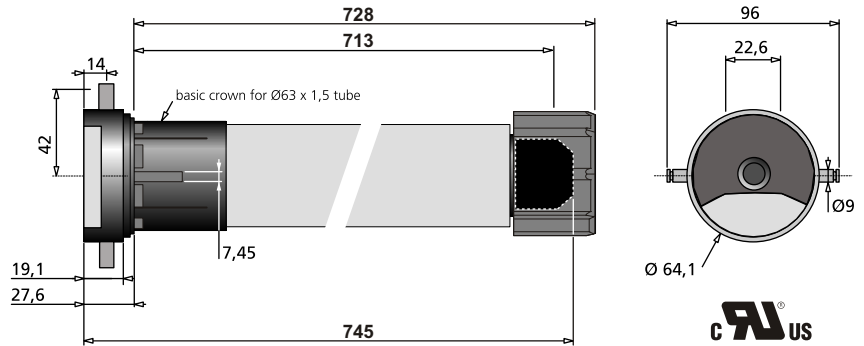
All Simu 120V-60Hz AC operators come standard with a built in electric brake and limit switch.



Operators Type 6 Hz-02 *Plus* (120V - 60Hz) AC



- Diameter 60mm (2.5 in.)
- Integrated radio
- Electronic limit setting
- 8 feet of motor cable
- UL Recognized
- CSA Approved
- FCC Approved
- IP 44 Rated



Approximate shipping weight = 12 lb.

Operators

Reference	Torque (in. lb./Nm)		Speed (rpm)	Watts	Amps	Limit Switch (rotation time)	Run Time (minutes)
2006060	530	60	14	285	2.5	3 minutes	4
2006061	704	80	14	390	3.4	3 minutes	4
2006062	880	100	14	430	3.8	3 minutes	4

- 220 volt operators are available as a special order.

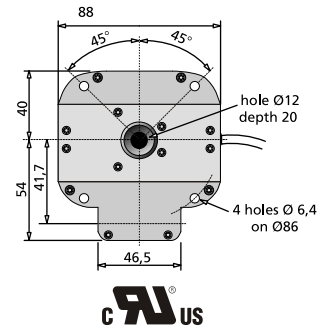
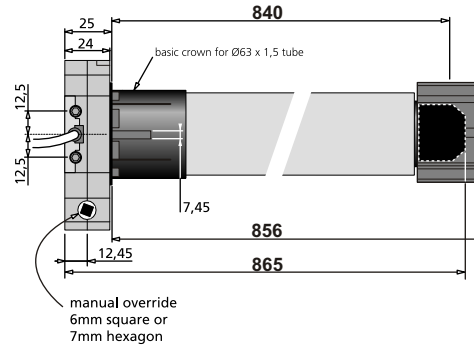
- All Simu 120V-60Hz AC operators come standard with a built in electric brake and limit switch.



Operators Type 6DMI Hz Override (120V - 60Hz) AC



- Diameter 60mm (2.5 in.)
- Integrated Radio
- Progressive limit setting
- 8 feet of motor cable
- UL Recognized
- CSA Approved
- FCC Approved
- IP 44 Rated



Operators

Reference	Torque (in. lb./Nm)		Speed (rpm)	Watts	Amps	Limit Switch (max. turns)	Run Time (minutes)
2006056	530	60	14	285	2.5	28	5
2006057	704	80	14	390	3.4	28	5
2006058	880	100	14	430	3.8	28	5

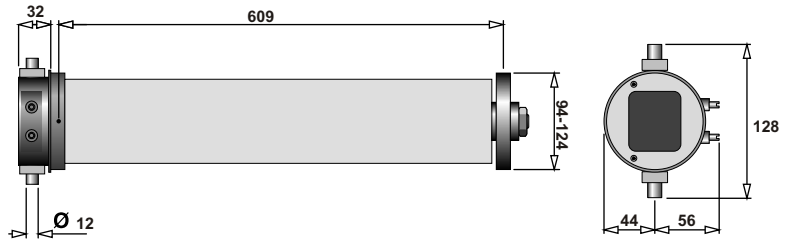
- 220 volt operators are available as a special order.

- All Simu 120V-60Hz AC operators come standard with a built in electric brake and limit switch.



Operators Type 8 (120V - 60Hz) AC

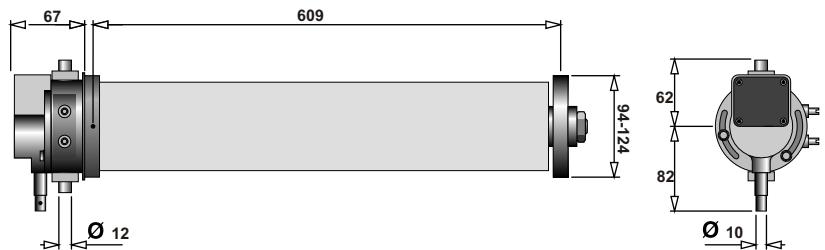
- Diameter 94mm (3.7 in.)
- Progressive limit setting
- 2 feet of motor cable
- UL Recognized
- CSA Approved
- IP 44 Rated



Standard Operators

Approximate shipping weight = 50 lb.

New Reference	Diameter	Torque (in. lb./Nm)		Speed (rpm)	Watts	Amps	Limit Switch (max. turns)	Run Time (minutes)
2006336	100-106	1750	200	10	600	5.1	13	4
2004248	94	1750	200	10	600	5.1	13	4



Override Operators

Approximate shipping weight = 55 lb.

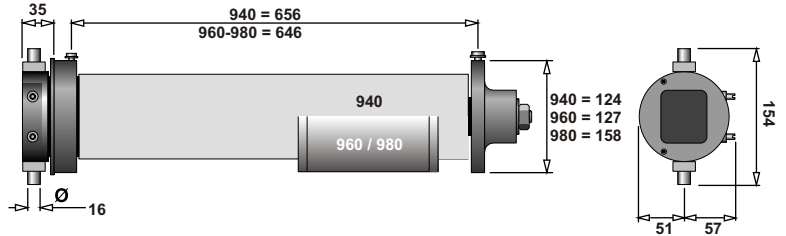
New Reference	Diameter	Torque (in. lb./Nm)		Speed (rpm)	Watts	Amps	Limit Switch (max. turns)	Run Time (minutes)
2006337	100-106	1750	200	10	600	5.1	13	4
2004249	94	1750	200	10	600	5.1	13	4

- 220V-50Hz operators are available as a special order.
- All Simu 120V-60Hz AC operators come standard with a built in electric brake and limit switch.
- Reference **2006336** and **2006337** represents operators with adjustable adaptors. Adaptors will adjust between 100mm - 106mm. Drive wheel is included and is attached to operator.
- Reference **2004248** and **2004249** do not include adaptor drive wheel. See page 37 for available sizes.



Operators Type 9 (240V - 60Hz) 3 Phase AC

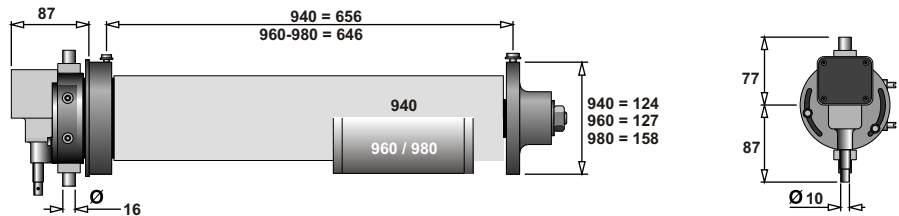
- Diameter 124mm (5 in.)
- Progressive limit setting
- 3 feet of motor cable
- UL Recognized
- CSA Approved
- IP 44 Rated



Standard Operators

Approximate shipping weight = 60 lb.

Reference	Diameter	Torque (in. lb./Nm)		Speed (rpm)	Watts	Amps	Limit Switch (max. turns)	Run Time (minutes)
2006276	124	3520	400	8	750	2.6	13	10
2006204	127	5280	600	9	1100	5.2	15	10



Override Operators

Approximate shipping weight = 65 lb.

Reference	Diameter	Torque (in. lb./Nm)		Speed (rpm)	Watts	Amps	Limit Switch (max. turns)	Run Time (minutes)
2006277	124	3520	400	8	750	2.6	13	10
2006218	127	5280	600	9	1100	5.2	15	10
2006223	158	7040	800	9	1270	5.2	15	10

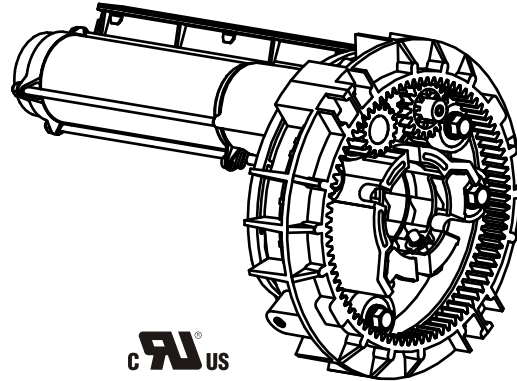
- Operators must run at 240V-60Hz 3 phase, do not use with 208V-60Hz 3 phase

- All Simu 240V-60Hz 3 Phase AC operators come standard with a built in electric brake and limit switch.



Operators Type Central (120V - 60Hz) AC

- Fast set limits
- 12 feet of motor cable
- 5 cycles per day
- UL Recognized
- CSA Approved
- Brake release



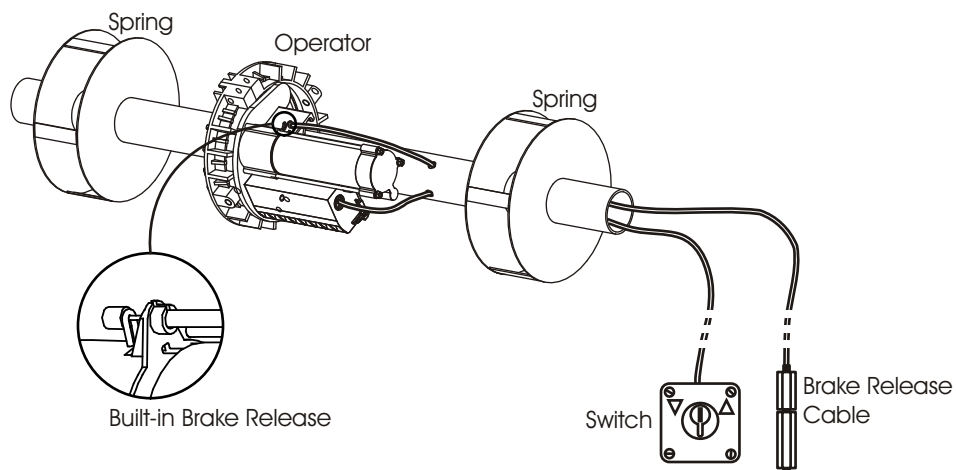
Operators

Approximate shipping weight = 25 lb.

Reference	Mounting Diameter (mm)	Crown size (mm)	Speed (rpm)	Watts	Amps	Limit Switch (max. turns)	Run Time (minutes)
2001098	60	200	12	420	3.6	13	4
2001099	60	220	12	420	3.6	13	4
2004950	76	200	10	400	3.3	12	4
2004951	76	220	10	400	3.3	12	4

- Central operators come standard with 2-3/8" fixed shaft. Adaptors are available for smaller diameters.
- Maximum counter balanced weight is 450 lbs on reference number 2001098 / 2004950 and 400 lbs on reference number 2001099 / 2004951.

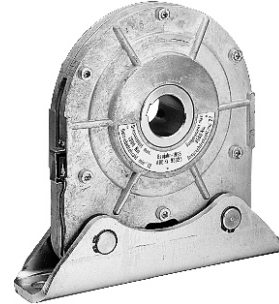
Installation at a Glance





Special Door Accessories Safety Brakes

- Motor cut off switch
- Unique shock absorbing system
- Accommodates most shaft sizes
- Resettable after use



Safety Brake

Reference	Nominal Torque (in. lb.)	Working Speed (rpm)	Locking Speed (rpm)	Locking Torque (in. lb.)	Screw Tightening Torque (in. lb.)	Shaft Size	Shipping Weight (lb.)
2005627	3,576	14	24	17,416	44	1.25	15
2005628	6,266	12	22	29,199	53	1.50	22
2005629	8,851	12	22	31,509	71	1.50	28
2005624	13,276	12	22	N/A	N/A	2.00	43
2005625	26,552	8	16	N/A	N/A	2.75	99

Application Table: Use the table below to choose the proper safety brake for the door application.

Reference		2005627			2005628			2005629			2005624			2005625		
Curtain Width (feet)		9	16	22	9	16	22	9	16	22						
Tube OD (inch)	Height															
4.5	9	1087	517													
	16	937	517													
	22	827	517													
6.625	9	908	900	851												
	16	822	814	803												
	22	745	734	728												
7.625	9	794	778	765	1122	1113	1000	1824	1799	1784						
	16	741	725	712	1085	1047	1036	1673	1660	1645						
	22	681	668	655	979	970	959	1526	1515	1501						
8.625	9	687	667	647	983	968	954	1590	1568	1545						
	16	658	638	618	955	939	924	1512	1490	1471	2646					
	22	616	598	579	900	886	873	1404	1387	1365						
9.625	9	596	568	539	869	847	827	1393	1361	1336						
	16	583	557	528	858	838	818	1358	1326	1301	2359				5071	
	22	559	528	502	822	803	783	1281	1257	1228						
10.51	9				778	750	723	1243	1206	1166						
	16				774	747	721	1228	1191	1151	2161				4630	
	22				752	725	701	1175	1140	1102						
11.75	9				671	638	605	1071	1025	977						
	16				669	636	603	1067	1021	972	1940				4145	
	22				662	629	596	1041	994	948						
12.75	9							-----	-----	-----						
	16							941	880	816	1786				3814	
	22							928	866	805						

- Please consult a SIMU representative for more details concerning larger tube diameters.