

Aste, Snodi e Maniglie

Kurbelstangen, Gelenke und Kurbeln

Tringles, Genouillères et Manivelles

Handcranks, Joints and Handles

SNODI + ASTE JOINTS + CRANK HANDLES SORTIES CAISSON + TRINGLES		Snodi / Joints / Sorties de caisson																																																			
		45°		70°						90°						Rinvio Transmission Renvoi																																					
		Zama Zamak / Zamac		Materiale plastico Plastic / Delrin						Zama Zamak / Zamac						Zama Zamak / Zamac						Grezza Blank Brut																															
		Nichelata Nickeled Nickelé		Bianca White Blanc		Bianca White / Blanc	Bianca White / Blanc	Grigio Grey / Gris	Bianca White / Blanc	Grigio Grey / Gris	Nichelata Nickeled Nickelé						Nichelata Nickeled Nickelé																																				
		24 x 52		28 x 46		27x60	27x60	32x32	21 x 40		21 x 60		24 x 85		35 x 85				22 x 85				42 x 85				38x56																										
		Giunto Joint / Cardan		Nichelata Nickeled / Nickelé		PVC	PVC	Nich.	Cromato Chromed / Chromé				Nichelata Nickeled / Nickelé		INOX				Nichelata Nickeled / Nickelé		INOX				Nichelata Nickeled / Nickelé																												
		L = mm		7	8	7	8	7	7	7	7	7	7	8	7	8	7	8	7	8	7	8	7	8	7	8	7	8	7																								
Ø mm		14	14	14	14	14	12	12	12	12	12	14	14	14	14	14	14	14	14	14	14	14	14	14	14	14	12																										
Codice Ref. Référence		6A3.23C48/4E7		6A3.23C48/4Q8		6A3.23D48/4E7		6A3.23D48/4Q8		6A3.24W4F/4E7		6A3.24W4F/2E7		6A3.23U38/2E7		6A3.25H9G/2E7		6A3.25H9M/2E7		6A3.25K9G/2E7		6A3.25K9M/2E7		6A3.23E48/4E7		6A3.23E48/4Q8		6A3.23F48/4E7		6A3.23F48/4Q8		6A3.23F58/4E7		6A3.23F58/4Q8		6A3.23S48/4E7		6A3.23S48/4Q8		6A3.23S58/4E7		6A3.23S58/4Q8		6A3.23T48/4E7		6A3.23T48/4Q8		6A3.23T58/4E7		6A3.23T58/4Q8		6A3.23Y38/2E7	
Asta completa Crank handle Tringle complète		Maniglia: materiale Crank: material Manivelle: matériel		I = mm		Colore Color Couleur																																															
Acciaio nichelato Nickeled steel Acier nickelé		140		1460		Bianco White Blanc																																															
				1760																																																	
				1460		Grigio Grey Gris																																															
				1760																																																	
		180		1500		Bianco White Blanc																																															
				1800																																																	
				1500		Grigio Grey Gris																																															
				1800																																																	
Inox Stainless steel Inox		1500		Bianco White Blanc																																																	
		1800																																																			
		1500		Grigio Grey Gris																																																	
		1800																																																			
Alluminio Aluminium		1460		Anodizzato Anodized Anodisé																																																	
		1760																																																			
Acciaio verniciato Painted steel Acier laqué		1335		Bianco White / Blanc																																																	
		1335		Grigio Grey / Gris																																																	

Componenti per aste smontate:
MANIGLIE

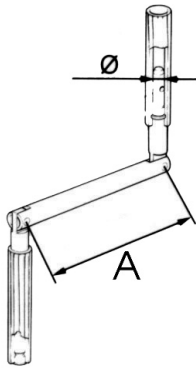
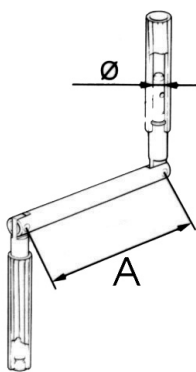
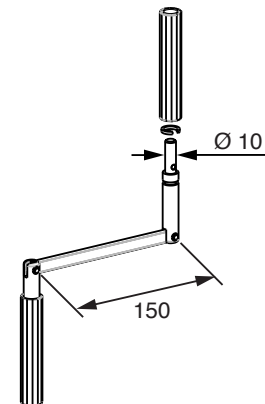
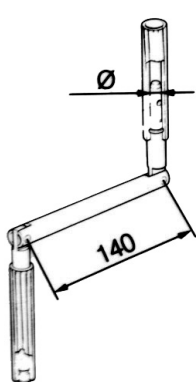
Einzelteile der Kurbelstangen:
HANDKURBELN

Pièces détachées pour tringles :
MANIVELLES

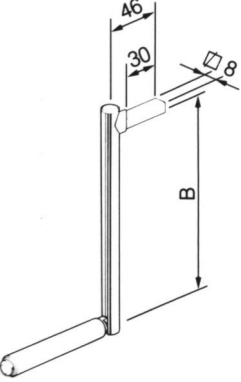
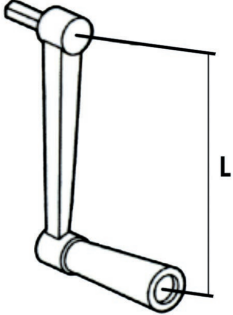
Components for unassembled handcranks:
HANDLES

Aste, Snodi e Maniglie
 Kurbelstangen, Gelenke und Kurbeln
 Tringles, Genouillères et Manivelles
 Handcranks, Joints and Handles



Tipo Typ / Type / Type	Codice Art / Ref / Item	Dimensioni (mm) Abmessungen (mm) Dimensions (mm) Dimensions (mm)	Note Anmerkungen / Notes / Notes	Imballo Verpackung Condition Packing
	6A3.21M41/1F1	Ø 10,9 A = 140	ACCIAIO NICHELATO VERNICKELTER STAHL ACIER NICKELE NICKEL-PLATED STEEL	20
	6A3.21M41/1N1	Ø 10,9 A = 140		20
	6A3.21M81/1F1	Ø 10,9 A = 180	ACCIAIO NICHELATO VERNICKELTER STAHL ACIER NICKELE NICKEL-PLATED STEEL	20
	6A3.21M81/1N1	Ø 10,9 A = 180	F = RAL 9003 BIANCO-WEISS-BLANC-WHITE N = RAL 7035 GRIGIO-GRAU-GRIS-GREY	20
	6A3.21P81/1F0	Ø 10,9	ACCIAIO INOX NIROSTA STAHL ACIER INOX STAINLESS STEEL	20
	6A3.21P81/1N0	Ø 10,9	F = RAL 9003 BIANCO-WEISS-BLANC-WHITE N = RAL 7035 GRIGIO-GRAU-GRIS-GREY	20
	6A3.21T43/OF3	Ø 10	ACCIAIO VERNICIATO LACKIERTER STAHL ACIER LAQUE PAINTED STEEL	20
	6A3.21T43/ON3	Ø 10	F = RAL 9003 BIANCO-WEISS-BLANC-WHITE N = RAL 7035 GRIGIO-GRAU-GRIS-GREY	20
	6A3.21V41/1N5	Ø 10,9	ALLUMINIO ANODIZZATO ELOXIERTES ALUMINIUM ALUMINIUM ANODISE ANODISED ALUMINIUM	20

7

Tipo Typ / Type / Type	Codice Art / Ref / Item	Dimensioni (mm) Abmessungen (mm) Dimensions (mm) Dimensions (mm)	Note Anmerkungen / Notes / Notes	Imballo Verpackung Condition Packing
	6C3.2129/80 6C3.2131/80	B = 140 B = 180	ACCIAIO NICHELATO VERNICKELTER STAHL ACIER NICKELE NICKEL-PLATED STEEL ACCIAIO NICHELATO VERNICKELTER STAHL ACIER NICKELE NICKEL-PLATED STEEL 80= NERO- SCHWARZ-NOIR-BLACK	20 20
 <p style="text-align: right;">⌀ 6 mm</p>	7009-106	L = 123	PER ARGANELLO INTEGRABILE FÜR INTEGRIERBAREN KURBELWICKLER POUR TREUIL À CORDON INTEGRABLE FOR INTEGRABLE ROPE WINCH BIANCO-WEISS-BLANC-WHITE	20

Componenti per aste smontate:
SNODI

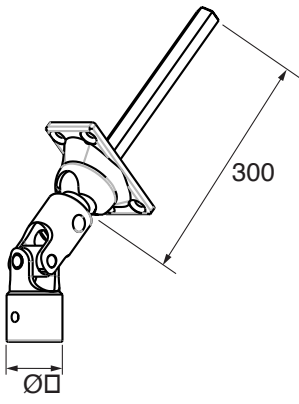
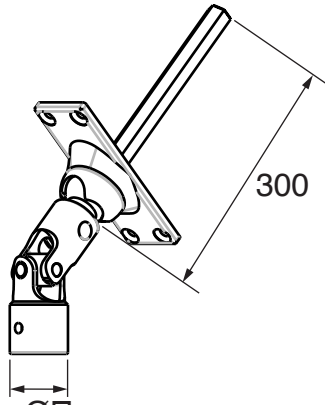
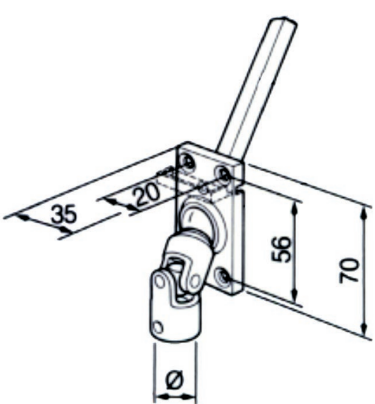
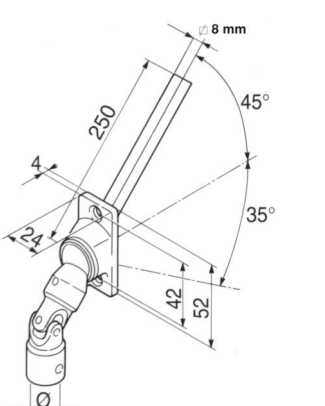
Einzelteile der Kurbelstangen:
KREUZGELENKE

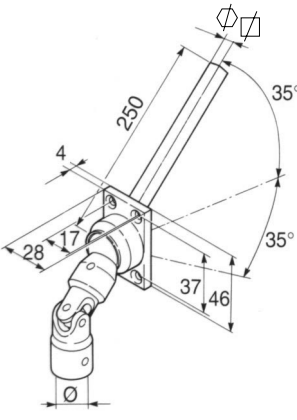
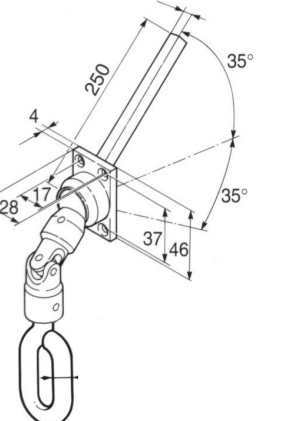
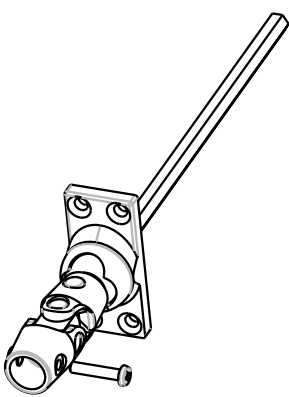
Pièces détachées pour tringles :
GENOUILLERES

Components for unassembled handcranks:
JOINTS

Aste, Snodi e Maniglie
 Kurbelstangen, Gelenke und Kurbeln
 Tringles, Genouillères et Manivelles
 Handcranks, Joints and Handles

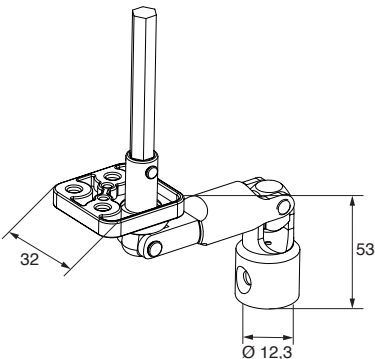
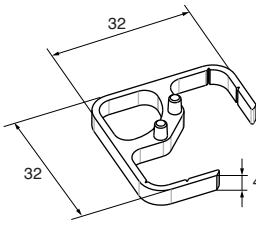
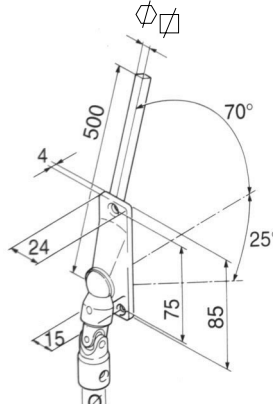
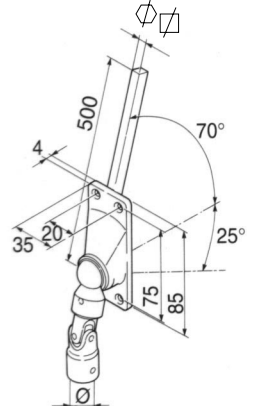


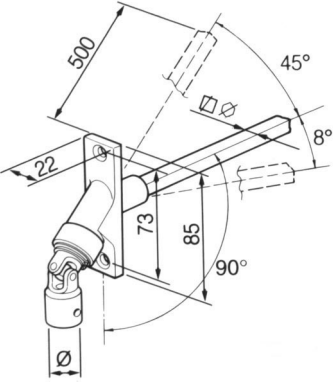
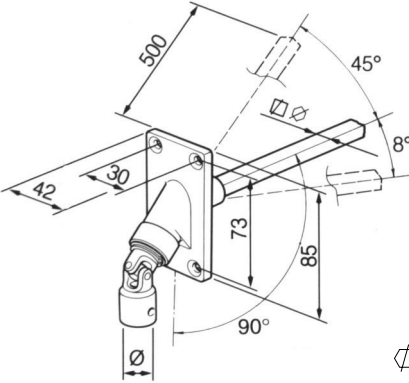
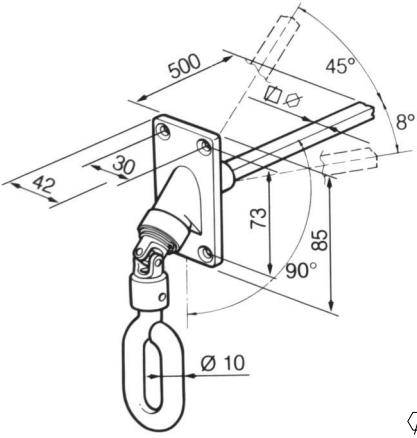
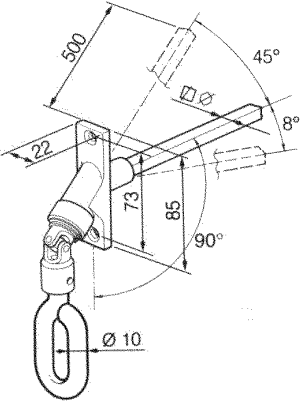
Tipo Typ / Type / Type	Codice Art / Ref / Item	Dimensioni (mm) Abmessungen (mm) Dimensions (mm) Dimensions (mm)	Note Anmerkungen / Notes / Notes	Imballo Verpackung Condition Packing
 <p>45°</p> <p>300</p> <p>7 mm</p>	<p>6A3.25H9G/2E7</p> <p>6A3.25H9G/4E7</p> <p>6A3.25H9M/2E7</p> <p>6A3.25H9M/4E7</p>	<p>Ø 12</p> <p>Ø 14</p> <p>Ø 12</p> <p>Ø 14</p>	<p>ACCIAIO NICHELATO VERNICKELTER STAHL ACIER NICKELE NICKEL-PLATED STEEL</p> <p>PLACCA PVC PLATTE PVC PLAQUE PVC PLATE PVC</p> <p>FORO M4 CON VITE LOCH M4 MIT SCHRAUB TROU M4 AVEC VIS HOLE M4 WITH SCREW</p> <p>G = RAL 9003 BIANCO-WEISS-BLANC-WHITE M = RAL 7035 GRIGIO-GRAU-GRIS-GREY</p>	<p>20</p> <p>20</p> <p>20</p> <p>20</p>
 <p>45°</p> <p>300</p> <p>7 mm</p>	<p>6A3.25K9G/2E7</p> <p>6A3.25K9G/4E7</p> <p>6A3.25K9M/2E7</p> <p>6A3.25K9M/4E7</p>	<p>Ø 12</p> <p>Ø 14</p> <p>Ø 12</p> <p>Ø 14</p>	<p>ACCIAIO NICHELATO VERNICKELTER STAHL ACIER NICKELE NICKEL-PLATED STEEL</p> <p>PLACCA PVC PLATTE PVC PLAQUE PVC PLATE PVC</p> <p>FORO M4 CON VITE LOCH M4 MIT SCHRAUB TROU M4 AVEC VIS HOLE M4 WITH SCREW</p> <p>G = RAL 9003 BIANCO-WEISS-BLANC-WHITE M = RAL 7035 GRIGIO-GRAU-GRIS-GREY</p>	<p>20</p> <p>20</p> <p>20</p> <p>20</p>
 <p>60°</p> <p>35</p> <p>20</p> <p>56</p> <p>70</p> <p>7 mm</p>	<p>6A3.23M48/4Q8</p> <p>6A3.23M48/4E7</p>		<p>ACCIAIO NICHELATO VERNICKELTER STAHL ACIER NICKELE NICKEL-PLATED STEEL</p> <p>FORO M4 CON VITE LOCH M4 MIT SCHRAUB TROU M4 AVEC VIS HOLE M4 WITH SCREW</p>	<p>20</p> <p>20</p>
 <p>35° - 45°</p> <p>8 mm</p> <p>250</p> <p>45°</p> <p>35°</p> <p>4</p> <p>24</p> <p>42</p> <p>52</p> <p>7 mm</p> <p>8 mm</p>	<p>6A3.23C48/4Q8</p> <p>6A3.23C48/4E7</p>	<p>Ø 14</p> <p>Ø 14</p>	<p>ACCIAIO NICHELATO VERNICKELTER STAHL ACIER NICKELE NICKEL-PLATED STEEL</p> <p>PLACCA ZAMA NICHELATA PLATTE ZAMAK VERNICKLET PLAQUE ZAMAC NICKELE PLATE ZAMAK NICKEL PLATED</p> <p>FORO M4 CON VITE LOCH M4 MIT SCHRAUB TROU M4 AVEC VIS HOLE M4 WITH SCREW</p>	<p>20</p> <p>20</p>

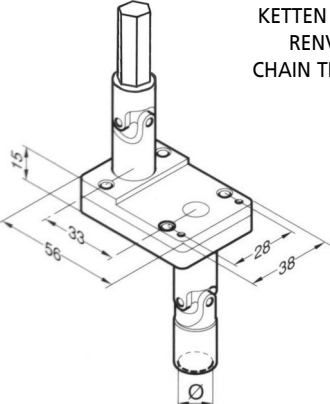
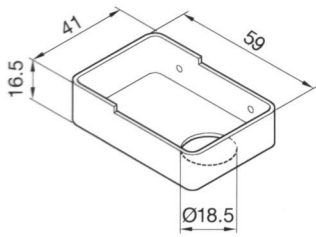
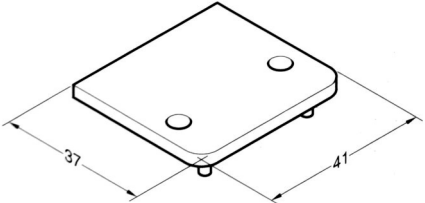
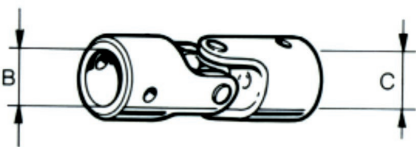
Tipo Typ / Type / Type	Codice Art / Ref / Item	Dimensioni (mm) Abmessungen (mm) Dimensions (mm) Dimensions (mm)	Note Anmerkungen / Notes / Notes	Imballo Verpackung Condition Packing
 <p>35° - 35°</p> <p>7 mm 8 mm</p>	<p>6A3.23D48/4Q8</p> <p>6A3.23D48/4E7</p>	<p>Ø 14</p> <p>Ø 14</p>	<p>ACCIAIO NICHELATO VERNICKELTER STAHL ACIER NIQUELE NICKEL-PLATED STEEL</p> <p>PLACCA ZAMA NICHELATA PLATTE ZAMAK VERNICKLET PLAQUE ZAMAC NIQUELE PLATE ZAMAK NICKEL PLATED</p> <p>FORO M4 CON VITE LOCH M4 MIT SCHRAUB TROU M4 AVEC VIS HOLE M4 WITH SCREW</p>	<p>20</p> <p>20</p>
 <p>35° - 35°</p> <p>7 mm</p>	<p>6A3.23D79/0E7</p>		<p>ACCIAIO NICHELATO OCCHIOLO ACCIAIO ZINCATO VERNICKELTER STAHL ÖSE AUS VERZINKTEM STAHL ACIER NIQUELE OEIL EN ACIER GALVANISE NICKEL-PLATED STEEL EYE GALVANIZED STEEL</p> <p>PLACCA ZAMA NICHELATA PLATTE ZAMAK VERNICKLET PLAQUE ZAMAC NIQUELE PLATE ZAMAK NICKEL PLATED</p>	<p>20</p>
 <p>35° - 45°</p> <p>7 mm</p>	<p>6A3.24W4F/2E7</p> <p>6A3.24W4F/4E7</p>	<p>Ø 12</p> <p>Ø 14</p>	<p>PVC</p> <p>PLACCA PVC BIANCA RAL 9003 PLATTE PVC WEISS PLAQUE PVC BLANCHE PLATE PVC WHITE</p> <p>RAL 9003 BIANCO - WEISS - BLANC - WHITE</p> <p>FORO M4 CON VITE LOCH M4 MIT SCHRAUB TROU M4 AVEC VIS HOLE M4 WITH SCREW</p>	<p>20</p> <p>20</p>

Aste, Snodi e Maniglie
 Kurbelstangen, Gelenke und Kurbeln
 Tringles, Genouillères et Manivelles
 Handcranks, Joints and Handles



Tipo Typ / Type / Type	Codice Art / Ref / Item	Dimensioni (mm) Abmessungen (mm) Dimensions (mm) Dimensions (mm)	Note Anmerkungen / Notes / Notes	Imballo Verpackung Condition Packing
 <p>45°</p> <p>Ø 7 mm</p>	6A3.23U38/2E7	Ø 12	ACCIAIO VERNICIATO LACKIERTER STAHL ACIER LAQUE PAINTED STEEL PLACCA PVC BIANCA PLATTE PVC WEISS PLAQUE PVC BLANCHE PLATE PVC WHITE RAL 9003 BIANCO - WEISS - BLANC - WHITE FORO M4 CON VITE LOCH M4 MIT SCHRAUB TROU M4 AVEC VIS HOLE M4 WITH SCREW	20
 <p>45°</p>	06182		DISTANZIALE ABSTANDHALTER CALE SPACER PER SNODO 6A3.23U38/2E7 FÜR GELENK 6A3.23U38/2E7 POUR GENOUILLERE 6A3.23U38/2E7 FOR JOINT 6A3.23U38/2E7	20
 <p>70°</p> <p>Ø 7 mm Ø 8 mm</p>	6A3.23E48/4Q8 6A3.23E48/4E7	Ø 14 Ø 14	ACCIAIO NICHELATO VERNICKELTER STAHL ACIER NICKELE NICKEL-PLATED STEEL PLACCA ZAMA NICHELATA PLATTE ZAMAK VERNICKLET PLAQUE ZAMAC NICKELE PLATE ZAMAK NICKEL PLATED FORO M4 CON VITE LOCH M4 MIT SCHRAUB TROU M4 AVEC VIS HOLE M4 WITH SCREW	20 20
 <p>70°</p> <p>Ø 7 mm Ø 8 mm</p>	6A3.23F48/4Q8 6A3.23F48/4E7 6A3.23F58/4Q8 6A3.23F58/4E7	Ø 14 Ø 14 Ø 14 Ø 14	ACCIAIO NICHELATO VERNICKELTER STAHL ACIER NICKELE NICKEL-PLATED STEEL PLACCA ZAMA NICHELATA PLATTE ZAMAK VERNICKLET PLAQUE ZAMAC NICKELE PLATE ZAMAK NICKEL PLATED ACCIAIO INOX NIROSTA STAHL ACIER INOX STAINLESS STEEL PLACCA ZAMA NICHELATA PLATTE ZAMAK VERNICKLET PLAQUE ZAMAC NICKELE PLATE ZAMAK NICKEL PLATED	20 20 20 20

Tipo Typ / Type / Type	Codice Art / Ref / Item	Dimensioni (mm) Abmessungen (mm) Dimensions (mm) Dimensions (mm)	Note Anmerkungen / Notes / Notes	Imballo Verpackung Condition Packing
<div style="text-align: right;">90°</div>  <div style="text-align: right;"> Ø 7 mm Ø 8 mm </div>	6A3.23S48/4Q8 6A3.23S48/4E7 6A3.23S58/4Q8 6A3.23S58/4E7	Ø 14 Ø 14 Ø 14 Ø 14	ACCIAIO NICHELATO VERNICKELTER STAHL ACIER NICKELE NICKEL-PLATED STEEL PLACCA ZAMA NICHELATA PLATTE ZAMAK VERNICKLET PLAQUE ZAMAC NICKELE PLATE ZAMAK NICKEL PLATED ACCIAIO INOX NIROSTA STAHL ACIER INOX STAINLESS STEEL PLACCA ZAMA NICHELATA PLATTE ZAMAK VERNICKLET PLAQUE ZAMAC NICKELE PLATE ZAMAK NICKEL PLATED FORO M4 CON VITE LOCH M4 MIT SCHRAUB TROU M4 AVEC VIS HOLE M4 WITH SCREW	20 20 20 20
<div style="text-align: right;">90°</div>  <div style="text-align: right;"> Ø 7 mm Ø 8 mm </div>	6A3.23T48/4Q8 6A3.23T48/4E7 6A3.23T58/4Q8 6A3.23T58/4E7	Ø 14 Ø 14 Ø 14 Ø 14	ACCIAIO NICHELATO VERNICKELTER STAHL ACIER NICKELE NICKEL-PLATED STEEL PLACCA ZAMA NICHELATA PLATTE ZAMAK VERNICKLET PLAQUE ZAMAC NICKELE PLATE ZAMAK NICKEL PLATED ACCIAIO INOX NIROSTA STAHL ACIER INOX STAINLESS STEEL PLACCA ZAMA NICHELATA PLATTE ZAMAK VERNICKLET PLAQUE ZAMAC NICKELE PLATE ZAMAK NICKEL PLATED FORO M4 CON VITE LOCH M4 MIT SCHRAUB TROU M4 AVEC VIS HOLE M4 WITH SCREW	20 20 20 20
<div style="text-align: right;">90°</div>  <div style="text-align: right;"> Ø 7 mm </div>	6A3.23T79/0E7		ACCIAIO NICHELATO OCCHIOLO ACCIAIO ZINCATO VERNICKELTER STAHL ÖSE AUS VERZINKTEM STAHL ACIER NICKELE OEIL EN ACIER GALVANISE NICKEL-PLATED STEEL EYE GALVANIZED STEEL PLACCA ZAMA NICHELATA PLATTE ZAMAK VERNICKLET PLAQUE ZAMAC NICKELE PLATE ZAMAK NICKEL PLATED FORO M4 CON VITE LOCH M4 MIT SCHRAUB TROU M4 AVEC VIS HOLE M4 WITH SCREW	20
<div style="text-align: right;">90°</div>  <div style="text-align: right;"> Ø 7 mm </div>	6A3.23S79/0E7		ACCIAIO NICHELATO OCCHIOLO ACCIAIO ZINCATO VERNICKELTER STAHL ÖSE AUS VERZINKTEM STAHL ACIER NICKELE OEIL EN ACIER GALVANISE NICKEL-PLATED STEEL EYE GALVANIZED STEEL PLACCA ZAMA NICHELATA PLATTE ZAMAK VERNICKLET PLAQUE ZAMAC NICKELE PLATE ZAMAK NICKEL PLATED FORO M4 CON VITE LOCH M4 MIT SCHRAUB TROU M4 AVEC VIS HOLE M4 WITH SCREW	20

Tipo Typ / Type / Type	Codice Art / Ref / Item	Dimensioni (mm) Abmessungen (mm) Dimensions (mm) Dimensions (mm)	Note Anmerkungen / Notes / Notes	Imballo Verpackung Condition Packing
 <p>RINVIO A CATENA KETTEN UMLENKUNG RENVOI A CHAÎNE CHAIN TRANSMISSION</p> <p>◇ 7 mm</p>	6A3.23Y38/2E7	Ø 12	FORO M4 CON VITE LOCH M4 MIT SCHRAUB TROU M4 AVEC VIS HOLE M4 WITH SCREW	20
 <p>COPERCHIO ABDECKUNG COUVERCLE COVERING CAP</p>	6D4.3060/21		ABS 21 = BIANCO GRIGIO GRAUWEISS BLANC GRIS WHITE GREY	25
 <p>PIASTRINA GEGENPLATTE CONTRE-PLAQUE COUNTERPLATE</p>	6D4.3061/21		ABS 21 = BIANCO GRIGIO GRAUWEISS BLANC GRIS WHITE GREY	25
	6A3.23X68/4E7 6A3.23X68/4Q8 6A3.23X68/4T4 6A3.23X68/OT4	B= Ø14 C= ◇ 7 B= Ø14 C= ▯ 8 B= Ø14 C= Ø14 B= Ø10 C= Ø14	ACCIAIO NICHELATO VERNICKELTER STAHL ACIER NICKELE NICKEL PLATED STEEL ACCIAIO NICHELATO VERNICKELTER STAHL ACIER NICKELE NICKEL PLATED STEEL ACCIAIO NICHELATO VERNICKELTER STAHL ACIER NICKELE NICKEL PLATED STEEL ACCIAIO NICHELATO VERNICKELTER STAHL ACIER NICKELE NICKEL PLATED STEEL	200 200 200 200

**Componenti per aste smontate:
TUBI, SPINE ELASTICHE E ACCESSORI**

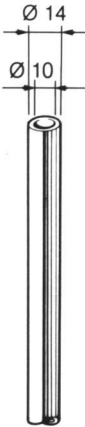


Einzelteile der Kurbelstangen:
ROHRE, SPANNSTIFTE UND ZUBEHÖR

Pièces détachées pour tringles :
TUBES, GOUPILLES ET ACCESSOIRES

Components for unassembled handcranks:
TUBE, ELASTIC PINS AND ACCESSORIES

Aste, Snodi e Maniglie
 Kurbelstangen, Gelenke und Kurbeln
 Tringles, Genouillères et Manivelles
 Handcranks, Joints and Handles



Tipo Typ / Type / Type	Codice Art / Ref / Item	Dimensioni (mm) Abmessungen (mm) Dimensions (mm) Dimensions (mm)	Note Anmerkungen / Notes / Notes	Imballo Verpackung Condition Packing
	TUBO ROHR TUBE TUBE 6C3.2214/1AL 6C3.2214/2AL 6C3.2214/3AL 6C3.2212/2AL 6C3.2212/3AL	A = 14 B = 11 A = 12 B = 10	ALLUMINIO ALUMINIUM ALUMINIUM ALUMINIUM 1= ANODIZZATO-ELOXIERT-ANODISE-ANODISED 2= RAL 9003 BIANCO-WEISS-BLANC-WHITE 3= RAL 7035 GRIGIO-GRAU-GRIS-GREY	5 x 3 m 5 x 3 m
	SPINE SPANNSTIFTE GOUPILLES PINS 3A6404012 3A6404014	Ø 12 Ø 14	FERRO ZINCATO VERZINKTER STAHL ACIER GALVANIZE GALVANIZED STEEL	500 500
	VITE SCHRAUBE VIS SCREW 3F1604020 3F1604018 3F1304020	M4 x 20 M4 x 18 M4 x 20	PER SNODO FORO Ø14 FÜR GELENK LOCH Ø14 POUR GENOUILLERE TROU Ø14 FOR JOINT HOLE Ø14 PER SNODO FORO Ø12 FÜR GELENK LOCH Ø12 POUR GENOUILLERE TROU Ø12 FOR JOINT HOLE Ø12 PER SNODO 6A3.24W4F/... FÜR GELENK 6A3.24W4F/... POUR GENOUILLERE 6A3.24W4F/... FOR JOINT 6A3.24W4F/... INOX	500 500 500

7

**Componenti per aste smontate:
PERNI E INNESTI RAPIDI**

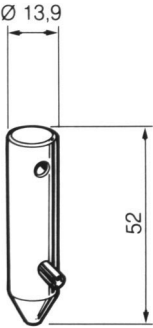
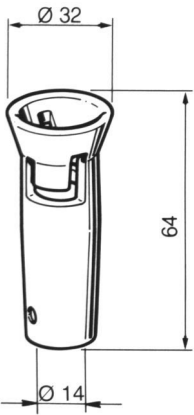
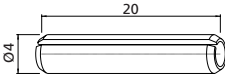
Einzelteile der Kurbelstangen:
STIFTE UND HÜLSENKUPPLUNGEN

Pièces détachées pour tringles :
PIVOTS ET EMBOUTS D'ACCROCHAGE

Components for unassembled handcranks:
PIVOTS AND BELL COUPLINGS

Aste, Snodi e Maniglie
 Kurbelstangen, Gelenke und Kurbeln
 Tringles, Genouillères et Manivelles
 Handcranks, Joints and Handles



Tipo Typ / Type / Type	Codice Art / Ref / Item	Dimensioni (mm) Abmessungen (mm) Dimensions (mm) Dimensions (mm)	Note Anmerkungen / Notes / Notes	Imballo Verpackung Condition Packing
	6A3.2341/FX		ACCIAIO INOX NIROSTA ACIER INOX STAINLESS STEEL	20
	6A3.2350/42		ZAMA NICHELATA VERNICKELTES ZAMAK ZAMAC NICKELE NICKEL-PLATED ZAMAK	20
<p data-bbox="351 1249 652 1326"> SPINA PER FISSAGGIO INNESTO SPANNSTIFT FÜR HÜLSENKUPPLUNG GOUPILLES POUR EMBOUT D'ACCROCHAGE ELASTIC PIN FOR BELL COUPLING </p> 	3F9204020		INOX	500

7

**Aste parzialmente montate:
TUBO + MANIGLIA**

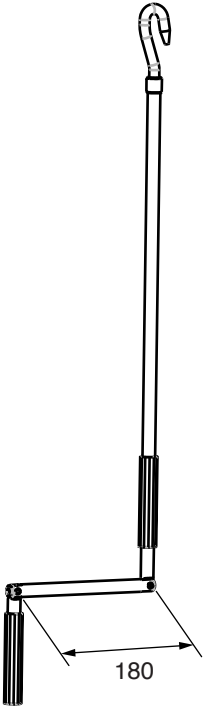
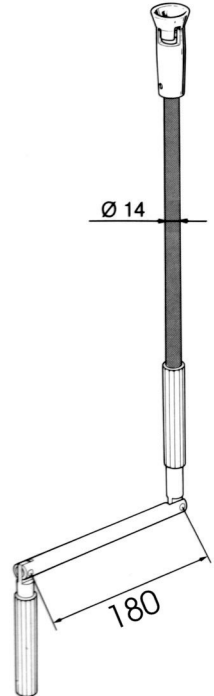
Teilmontierte Kurbelstangen:
ROHR + HANDKURBEL

Tringles partiellement assemblées :
TUBE + MANIVELLE

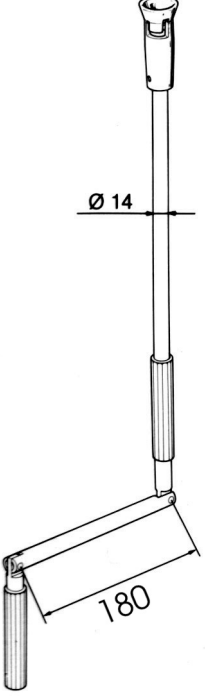
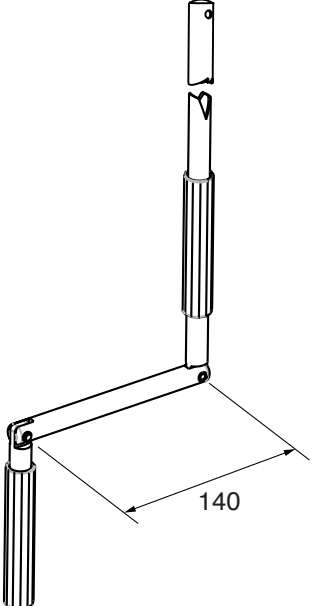
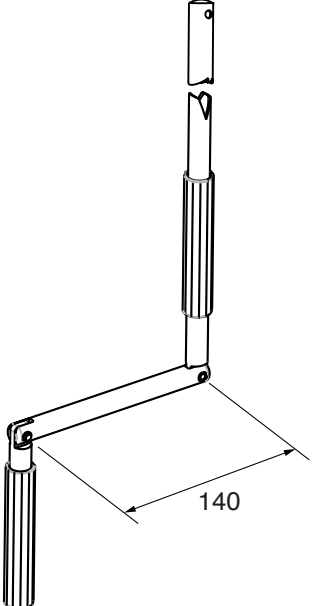
Partly assembled Handcranks:
TUBE + HANDLE

Aste, Snodi e Maniglie
 Kurbelstangen, Gelenke und Kurbeln
 Tringles, Genouillères et Manivelles
 Handcranks, Joints and Handles



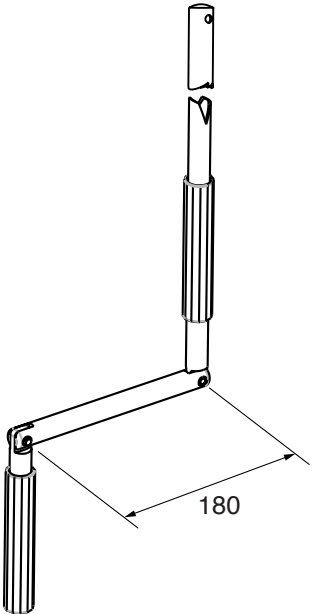
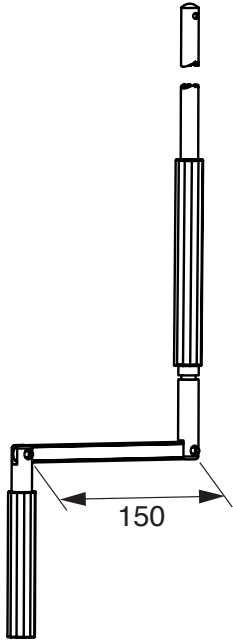
Tipo Typ / Type / Type	Codice Art / Ref / Item	Dimensioni (mm) Abmessungen (mm) Dimensions (mm) Dimensions (mm)	Note Anmerkungen / Notes / Notes	Imballo Verpackung Condition Packing
	6A3.22E50/315	15 = 1500 mm	ASTA CON GANCIO KURBELSTANGE MIT HAKEN TRINGLE AVEC CROCHET HANDCRANK WITH HOOK	20
	6A3.22E50/318	18 = 1800 mm	3= RAL 7035 GRIGIO-GRAU-GRIS-GREY	20
	6A3.22E78/215	15 = 1500 mm	MANIGLIA NICHELATA + TUBO ALU VERNICIATO VERNICKELTE KURBEL + LACKIERTES ALU ROHR	10
	6A3.22E78/315	18 = 1800 mm	MANIVELLE NICKELÉE + TUBE ALU LAQUE NICKEL-PLATED HANDLE + PAINTED ALU TUBE	10
	6A3.22E78/218	15 = 1500 mm	2= RAL 9003 BIANCO-WEISS-BLANC-WHITE	10
	6A3.22E78/318	18 = 1800 mm	3= RAL 7035 GRIGIO-GRAU-GRIS-GREY	10

7

Tipo Typ / Type / Type	Codice Art / Ref / Item	Dimensioni (mm) Abmessungen (mm) Dimensions (mm) Dimensions (mm)	Note Anmerkungen / Notes / Notes	Imballo Verpackung Condition Packing
	6A3.22P78/215	15 = 1500 mm	MANIGLIA INOX + TUBO ALU VERNICIATO KURBEL INOX + LACKIERTES ALU ROHR MANIVELLE INOX + TUBE ALU LAQUE INOX HANDLE + PAINTED ALU TUBE	10
	6A3.22P78/315			10
	6A3.22P78/218	18 = 1800 mm		10
	6A3.22P78/318			10
	6A3.20A32/215	15 = 1500 mm	MANIGLIA NICHELATA + TUBO ALU VERNICIATO VERNICKELTE KURBEL + LACKIERTES ALU ROHR MANIVELLE NICKELÉE + TUBE ALU LAQUE NICKEL-PLATED HANDLE + PAINTED ALU TUBE	20
	6A3.20A32/315			20
	6A3.20A32/218	18 = 1800 mm		20
	6A3.20A32/318			20
	6A3.20R42/115	15 = 1500 mm	MANIGLIA ALUMINIO ANODIZZATO ALUMINIUM ELOXIERT KURBEL MANIVELLE ALUMINIUM ANODISE ANODISED ALUMINIUM HANDLE	20
	6A3.20R42/118	18 = 1800 mm		20
	6A3.20R42/...15		MANIGLIA ALUMINIO VERNICIATO ALUMINIUM LACKIERT KURBEL MANIVELLE ALUMINIUM LAQUÉ PAINTED ALUMINIUM HANDLE	20
	6A3.20R42/...18		2 = RAL 9003 BIANCO-WEISS-BLANC-WHITE 3 = RAL 7035 GRIGIO-GRAU-GRIS-GREY 4 = RAL 8019 MARRONE - BRAUN - BRUN - BROWN	20

Aste, Snodi e Maniglie
 Kurbelstangen, Gelenke und Kurbeln
 Tringles, Genouillères et Manivelles
 Handcranks, Joints and Handles



Tipo Typ / Type / Type	Codice Art / Ref / Item	Dimensioni (mm) Abmessungen (mm) Dimensions (mm) Dimensions (mm)	Note Anmerkungen / Notes / Notes	Imballo Verpackung Condition Packing
	6A3.20B12/215	15 = 1500 mm	MANIGLIA NICHELATA + TUBO ALU VERNICIATO VERNICKELTE KURBEL + LACKIERTES ALU ROHR	20
	6A3.20B12/315		MANIVELLE NICKELÉE + TUBE ALU LAQUE NICKEL-PLATED HANDLE + PAINTED ALU TUBE	20
	6A3.20B12/218	18 = 1800 mm		20
	6A3.20B12/318			20
	6A3.20C12/215	15 = 1500 mm	MANIGLIA INOX + TUBO ALU VERNICIATO KURBEL INOX + LACKIERTES ALU ROHR	20
	6A3.20C12/315		MANIVELLE INOX + TUBE ALU LAQUÉ INOX HANDLE + PAINTED ALU TUBE	20
	6A3.20T62/203	L = 1335 mm	MANIGLIA NICHELATA + TUBO ALU VERNICIATO VERNICKELTE KURBEL + LACKIERTES ALU ROHR	10
	6A3.20T62/303		MANIVELLE NICKELÉE + TUBE ALU LAQUE NICKEL-PLATED HANDLE + PAINTED ALU TUBE	10
			2= RAL 9003 BIANCO-WEISS-BLANC-WHITE 3= RAL 7035 GRIGIO-GRAU-GRIS-GREY	

7