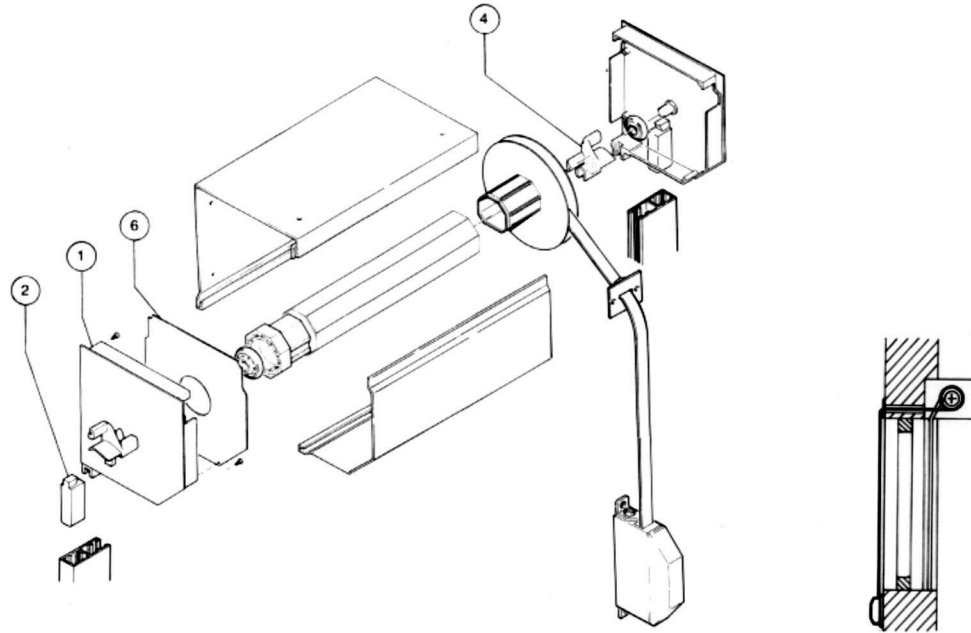


Sistema "Domino" per Cassonetti in Alluminio
System "Domino" für Aluminium Kasten
Système "Domino" pour coffres en Aluminium
"Domino" system for Aluminium shutter Housings

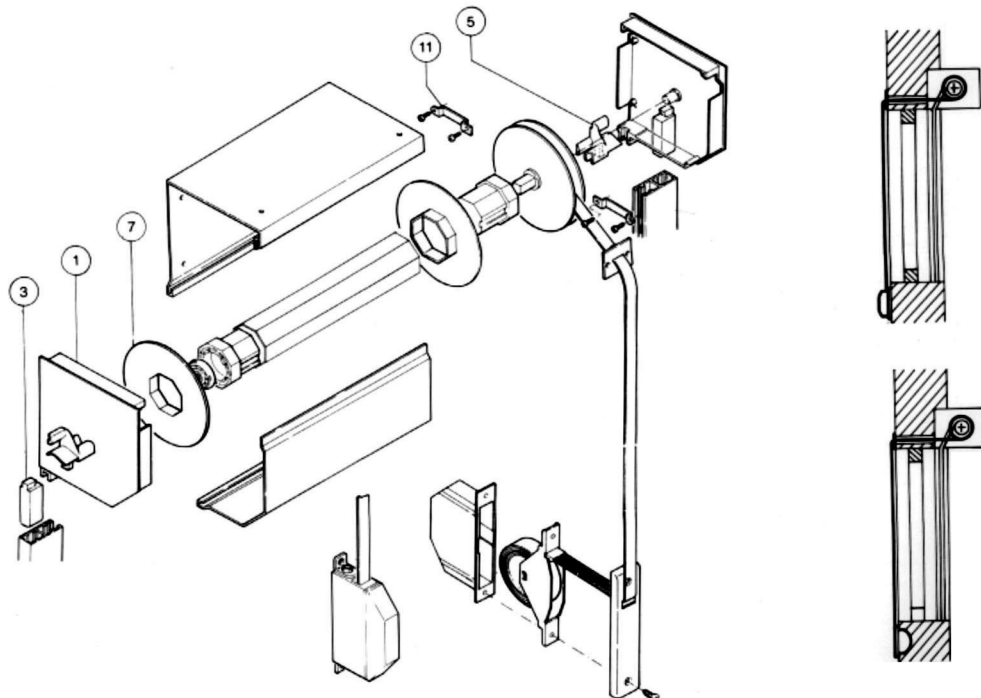
Sistema "Domino" per Cassonetti in Alluminio
 System "Domino" für Aluminium Kasten
 Système "Domino" pour coffres en Aluminium
 "Domino" system for Aluminium shutter Housings



MANOVRA A CINGHIA - CON AVVOLGITORE MINI A INCASSO O A BANDIERA - PER LAME DI SPESSORE FINO A 9 mm
ANTRIEB MIT GURTZUG - MIT MINI EINLASS - ODER SCHWENKBAREM WICKLER - FÜR STAB STÄRKE MAX. 9 mm
MANOEUVRE PAR SANGLE - AVEC ENROULEUR MINI A ENCASTRER OU PIVOTANT - POUR LAME EPAISSEUR MAX. 9 mm
STRAP OPERATION - WITH INSIDE OR OUTSIDE MINI STRAP COILER - FOR SLAT THICKNESS MAX. 9 mm

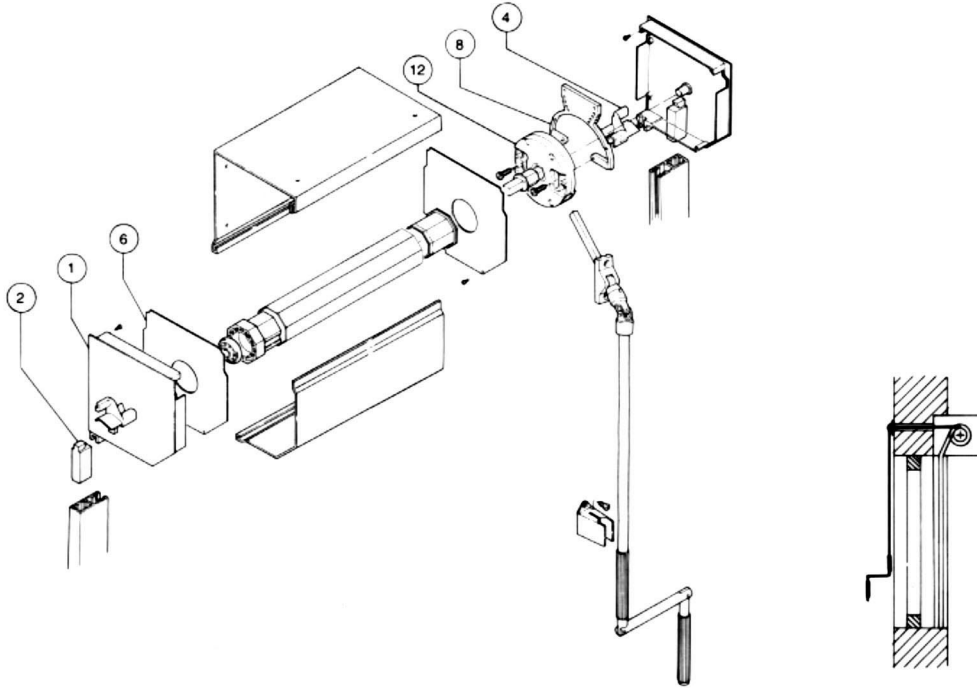


MANOVRA A CINGHIA - CON AVVOLGITORE STANDARD A INCASSO O A BANDIERA - PER LAME DI SPESSORE FINO A 14 mm
ANTRIEB MIT GURTZUG - MIT STANDARD EINLASS - ODER SCHWENKBAREM WICKLER - FÜR STAB STÄRKE MAX. 14 mm
MANOEUVRE PAR SANGLE - AVEC ENROULEUR STANDARD A ENCASTRER OU PIVOTANT - POUR LAME EPAISSEUR MAX. 14 mm
STRAP OPERATION - WITH INSIDE OR OUTSIDE STANDARD STRAP COILER - FOR SLAT THICKNESS MAX. 14 mm

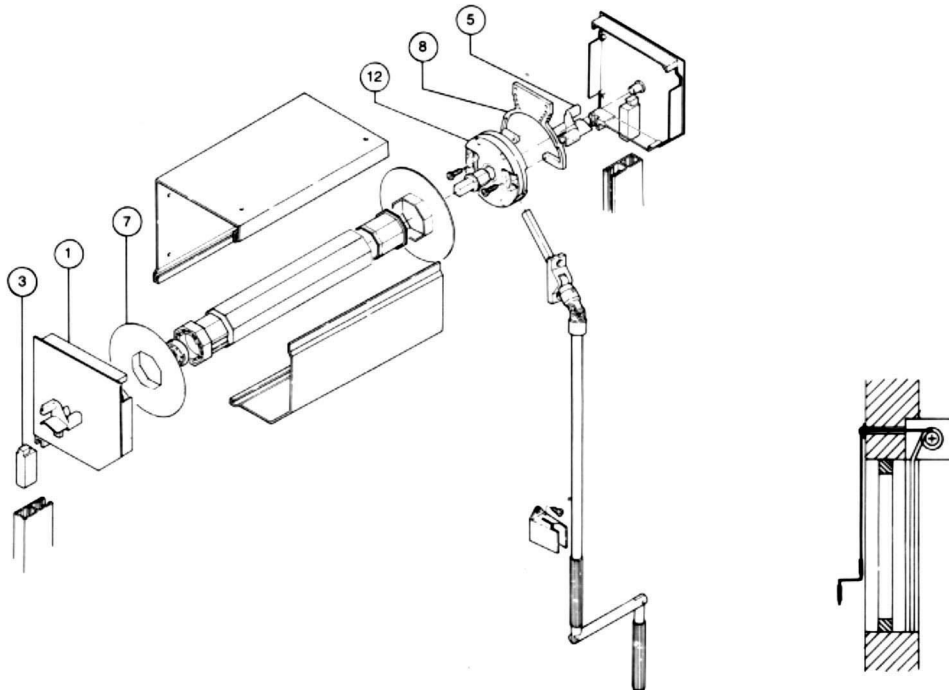


Sistema "Domino" per Cassonetti in Alluminio
 System "Domino" für Aluminium Kasten
 Système "Domino" pour coffres en Aluminium
 "Domino" system for Aluminium shutter Housings

MANOVRA AD ASTA - CON ARGANELLO "ACE" - PER LAME DI SPESSORE FINO A 9 mm
ANTRIEB MIT KURBELSTANGE - MIT GETRIEBE "ACE" - FÜR STAB STÄRKE MAX. 9 mm
MANOEUVRE PAR TRINGLE - AVEC TREUIL "ACE" - POUR LAME EPAISSEUR MAX. 9 mm
CRANK OPERATION - WITH GEAR "ACE" - FOR SLAT THICKNESS MAX. 9 mm



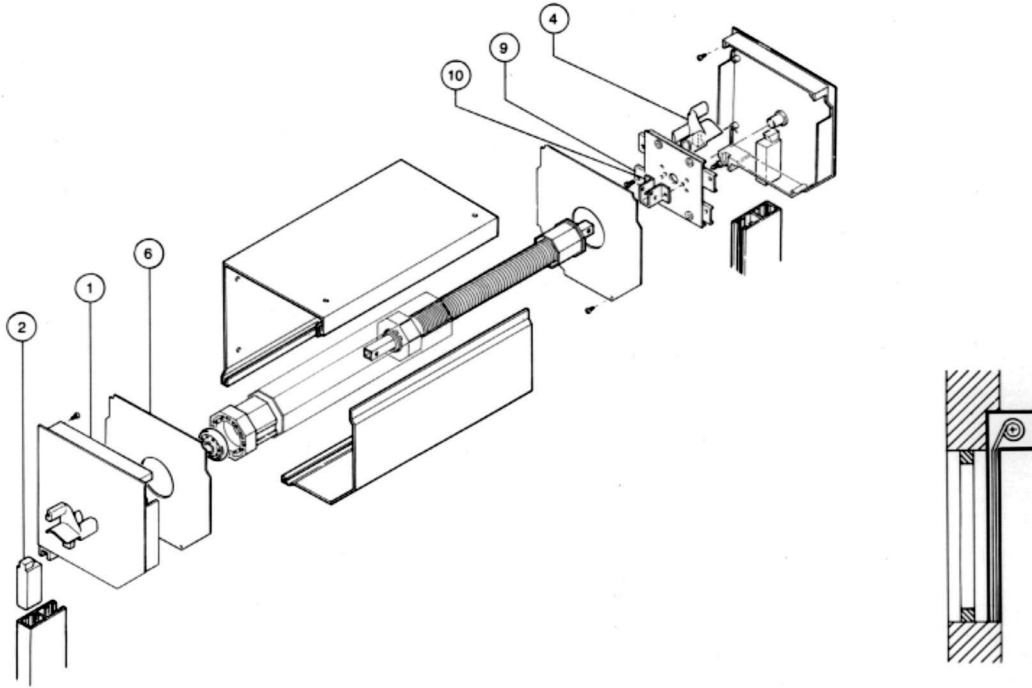
MANOVRA AD ASTA - CON ARGANELLO "ACE" - PER LAME DI SPESSORE FINO A 14 mm
ANTRIEB MIT KURBELSTANGE - MIT GETRIEBE "ACE" - FÜR STAB STÄRKE MAX. 14 mm
MANOEUVRE PAR TRINGLE - AVEC TREUIL "ACE" - POUR LAME EPAISSEUR MAX. 14 mm
CRANK OPERATION - WITH GEAR "ACE" - FOR SLAT THICKNESS MAX. 14 mm



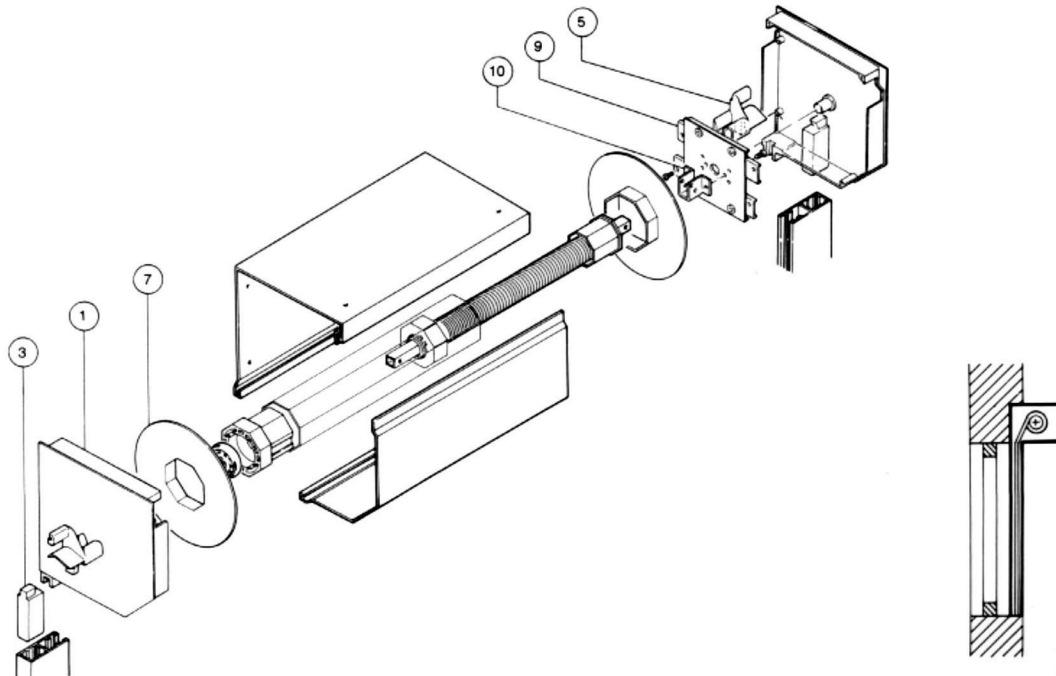
Sistema "Domino" per Cassonetti in Alluminio
 System "Domino" für Aluminium Kasten
 Système "Domino" pour coffres en Aluminium
 "Domino" system for Aluminium shutter Housings



MANOVRA AD ASTA - CON MOLLA DI COMPENSAZIONE - PER LAME DI SPESSORE FINO A 9 mm
ANTRIEB MIT KURBELSTANGE - MIT HILFSFEDER - FÜR STAB STÄRKE MAX. 9 mm
MANŒUVRE PAR TRINGLE - AVEC RESSORT DE COMPENSATION - POUR LAME EPAISSEUR MAX. 9 mm
CRANK OPERATION - WITH ASSIST SPRING - FOR SLAT THICKNESS MAX. 9 mm



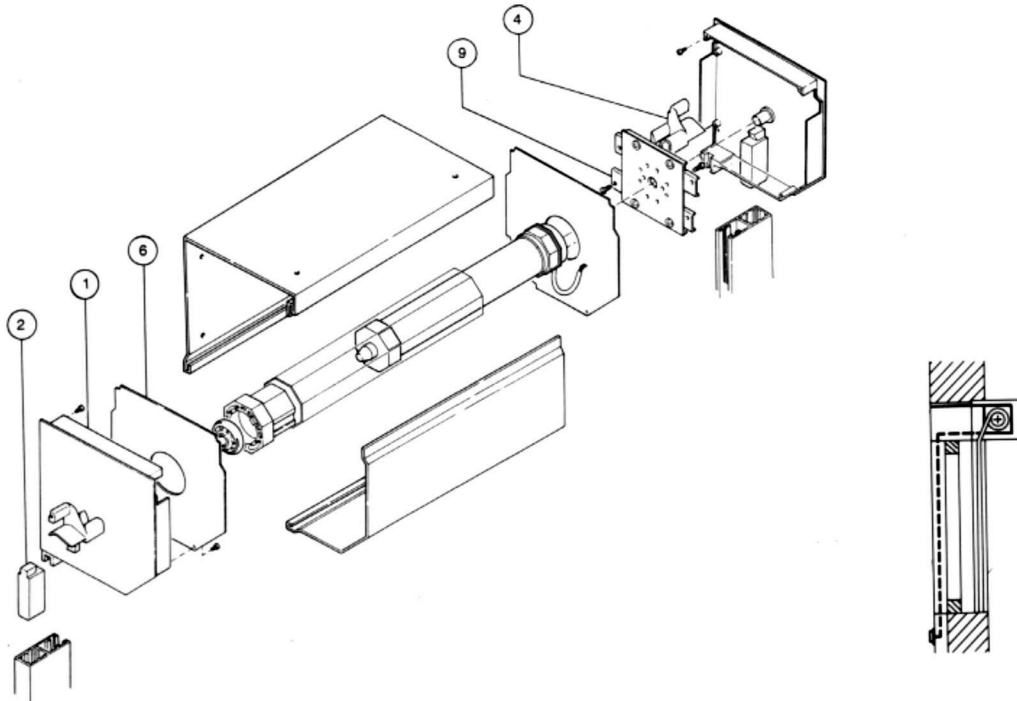
MANOVRA AD ASTA - CON MOLLA DI COMPENSAZIONE - PER LAME DI SPESSORE FINO A 14 mm
ANTRIEB MIT KURBELSTANGE - MIT HILFSFEDER - FÜR STAB STÄRKE MAX. 14 mm
MANŒUVRE PAR TRINGLE - AVEC RESSORT DE COMPENSATION - POUR LAME EPAISSEUR MAX. 14 mm
CRANK OPERATION - WITH ASSIST SPRING - FOR SLAT THICKNESS MAX. 14 mm



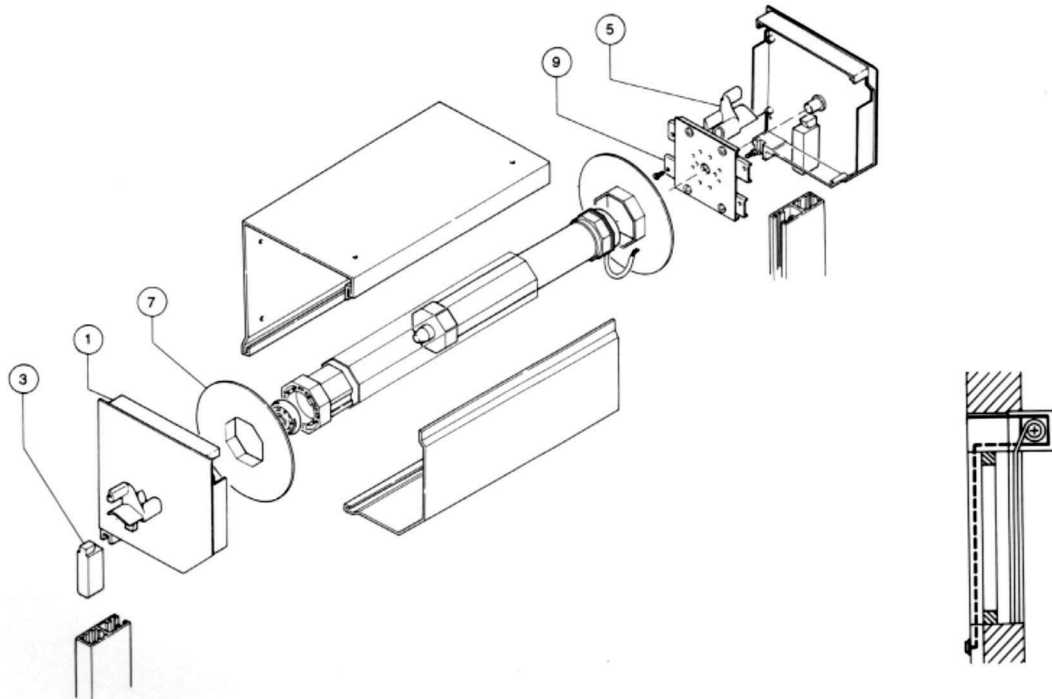
19

Sistema "Domino" per Cassonetti in Alluminio
 System "Domino" für Aluminium Kasten
 Système "Domino" pour coffres en Aluminium
 "Domino" system for Aluminium shutter Housings

MANOVRA ELETTRICA - SENZA MANOVRA DI SOCCORSO - PER LAME DI SPESSORE FINO A 9 mm
ELEKTRISCHER ANTRIEB - OHNE NOTGETRIEBE - FÜR STAB STÄRKE MAX. 9 mm
MANOEUVRE ELECTRIQUE - SANS MANOEUVRE DE SECOURS - POUR LAME EPAISSEUR MAX. 9 mm
ELECTRIC MOTOR OPERATION - WITHOUT MANUAL OVERRIDE - FOR SLAT THICKNESS MAX. 9 mm



MANOVRA ELETTRICA - SENZA MANOVRA DI SOCCORSO - PER LAME DI SPESSORE FINO A 14 MM
ELEKTRISCHER ANTRIEB - OHNE NOTGETRIEBE - FÜR STAB STÄRKE MAX. 14 MM
MANOEUVRE ELECTRIQUE - SANS MANOEUVRE DE SECOURS - POUR LAME EPAISSEUR MAXI 14 MM
ELECTRIC MOTOR OPERATION - WITHOUT MANUAL OVERRIDE - FOR SLAT THICKNESS MAX. 14 MM



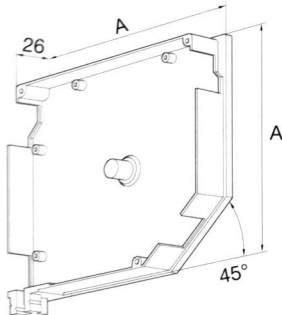
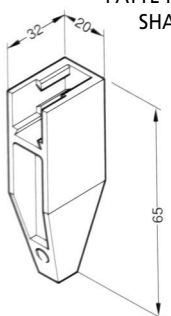
Sistema "Domino" per Cassonetti in Alluminio
 System "Domino" für Aluminium Kasten
 Système "Domino" pour coffres en Aluminium
 "Domino" system for Aluminium shutter Housings

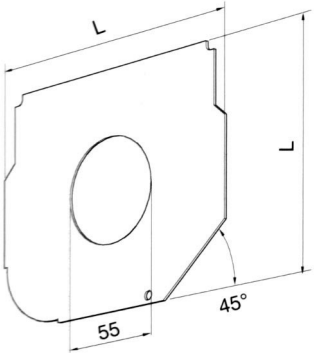
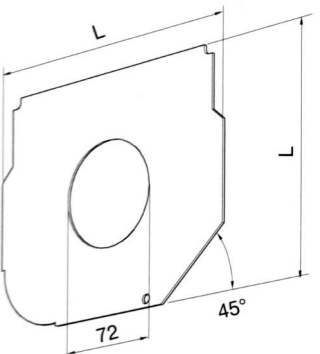
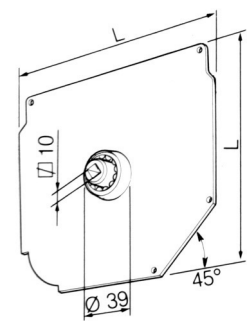
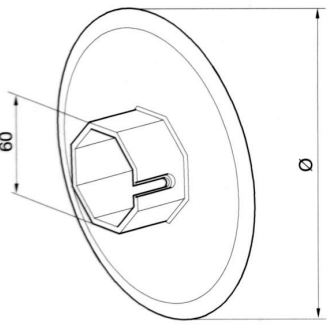


TABELLA COLORI PER FIANCHI E PROFILI PER CASSONETTO
 FARBTABELLE FÜR BLENDEKAPPEN UND BLENDEKÄSTEN
 TABLEAU DES COULEURS POUR CONSOLES ET PROFILS POUR COFFRE
 COLOUR TABLE FOR END CAPS AND SHUTTER HOUSING PROFILES

ESECUZIONE AUSFÜHRUNG FINITION FINISHING	COLORE FARBE COULEUR COLOUR	(...)
GREZZO (IMBALLO IN PALL-PACK) BLANK (VERPACKUNG IM PALL-PACK) BRUT (EMBALLAGE EN PALL-PACK) BLANK (PACKING IN PALL-PACK) GREZZO (IMBALLO IN CARTONI) BLANK (VERPACKUNG IM KARTONS) BRUT (EMBALLAGE EN BOITES) BLANK (PACKING IN BOXES)		11
CROMATATO E VERNICIATO CHROMATIERT UND LACKIERT CHROMATE ET LAQUE CHROMATED AND PAINTED	BIANCO - WEISS - BLANC WHITE BIANCO - EISWEISS BLANC - WHITE MARRONE SCURO - DUNKELBRAUN BRUN FONCE - DARK BROWN ALLUMINIO - ALU METALLIC ALU METALLISE - ALU METALLIC	20 26 40 50

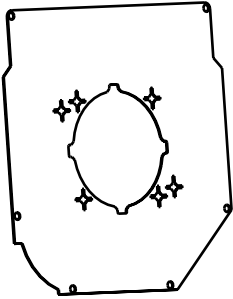
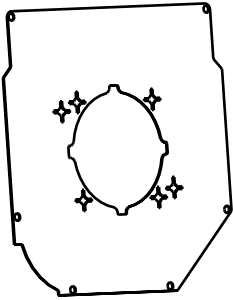
UNITÀ DI MISURA: PAIO
 MASSEINHEIT: PAAR
 UNITE DE MESURE: PAIRE
 MEASURE UNIT: PAIR

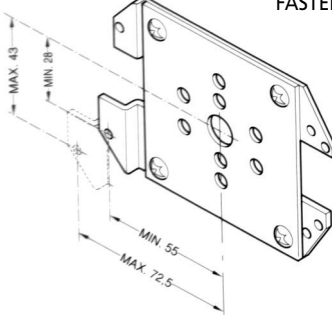
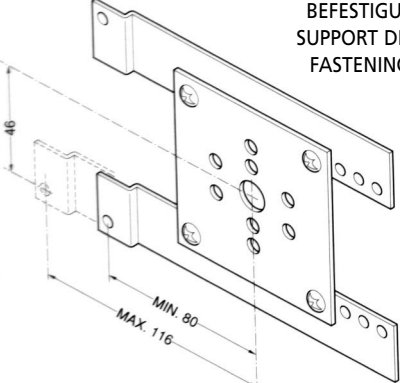
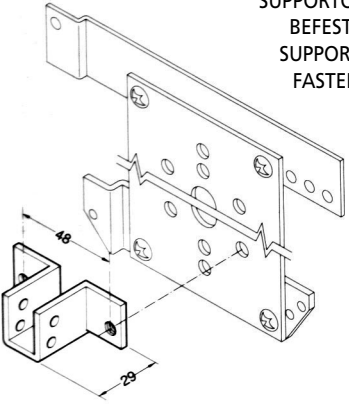
Tipo Typ / Type / Type	Codice Art / Ref / Item	Dimensioni (mm) Abmessungen (mm) Dimensions (mm) Dimensions (mm)	Note Anmerkungen / Notes / Notes	POS.	Imballo Verpackung Condition Packing
FIANCO 45° PERNO Ø12 MM BLENDENKAPPE 45° STIFT Ø12 MM CONSOLE 45° PIVOT Ø12 MM SIDE FRAME 45° PIVOT Ø12 MM 	6C8.7012/... 6C8.7013/... 6C8.7015/... 6C8.7016/... 6C8.7018/... 6C8.7020/... 6C8.7023/... 6C8.7025/...	A = 125 A = 137 A = 150 A = 165 A = 180 A = 205 A = 230 A = 250	ALLUMINIO PRESSOFUSO - BORDO 1,5 MM DRUCKGUSS ALUMINIUM - RAND 1,5 MM ALUMINIUM MOULE SOUS PRESSION - BORD 1,5 MM DIE-CASTED ALUMINIUM - EDGE 1,5 MM (...) TABELLA COLORI 174 FARB-TABELLE SEITE 174 TABLEAU DES COULEURS PAGE 174 COLOURS TABLE PAGE 174	1	25 25 25 25 25 10 10
GAMBO PER GUIDA STANDARD ZAPPEN FÜR STANDARD- FÜHRUNGSSCHIENE PATTE POUR COULISSE STANDARD SHANK FOR STANDARD GUIDE 	6C3.5102		ALLUMINIO PRESSOFUSO DRUCKGUSS ALUMINIUM ALUMINIUM MOULE SOUS PRESSION DIE-CASTED ALUMINIUM	2	100

Tipo Typ / Type / Type	Codice Art / Ref / Item	Dimensioni (mm) Abmessungen (mm) Dimensions (mm) Dimensions (mm)	Note Anmerkungen / Notes / Notes	POS.	Imballo Verpackung Condition Packing
PIASTRA DI CONTENIMENTO 45° ABWEISBLECH 45° PLAQUE-CONSOLE 45° SAFETY PLATE 45° 	6A3.2512/5FZ	L = 122	FERRO ZINCATO FORO Ø55 mm	6	100
	6A3.2513/5FZ	L = 134	VERZINKTER STAHL BOHRUNG Ø 55 mm		100
	6A3.2515/5FZ	L = 147	ACIER GALVANISE TROU Ø55 mm		100
	6A3.2516/5FZ	L = 162	GALVANIZED STEEL HOLE Ø55 mm		100
	6A3.2518/5FZ	L = 177			100
	6A3.2520/5FZ	L = 202			100
	6A3.2523/5FZ	L = 226			50
6A3.2525/5FZ	L = 249		50		
PIASTRA DI CONTENIMENTO 45° ABWEISBLECH 45° PLAQUE-CONSOLE 45° SAFETY PLATE 45° 	6A3.2812/5FZ	L = 122	FERRO ZINCATO FORO Ø72 mm	6	100
	6A3.2813/5FZ	L = 134	VERZINKTER STAHL BOHRUNG Ø72 mm		100
	6A3.2815/5FZ	L = 147	ACIER GALVANISE TROU Ø72 mm		100
	6A3.2816/5FZ	L = 162	GALVANIZED STEEL HOLE Ø72 mm		100
	6A3.2818/5FZ	L = 177			100
	6A3.2820/5FZ	L = 202			100
	6A3.2823/5FZ	L = 226			50
6A3.2825/5FZ	L = 249		50		
PIASTRA DI CONTENIMENTO 45° ABWEISBLECH 45° PLAQUE-CONSOLE 45° SAFETY PLATE 45° 	6A3.2412/D5FZ	L = 125	FERRO ZINCATO CON CUSCINETTO Ø36 mm PER MANOVRA DEPORTATA	6	50
	6A3.2413/D5FZ	L = 137	VERZINKTER STAHL MIT KUGELLAGER Ø36 mm FÜR AUSSEN LIEGENDEN ANTRIEB		50
	6A3.2415/D5FZ	L = 147	ACIER GALVANISE AVEC ROULEMENT A BILLES Ø36 mm POUR MANOEUVRE DEPORTEE		50
	6A3.2416/D5FZ	L = 162	GALVANIZED STEEL WITH BALL BEARING Ø36 mm FOR EXTERIOR OPERATION		50
	6A3.2418/D5FZ	L = 177			50
	6A3.2420/D5FZ	L = 202			50
	6A3.2415/S5FZ	L = 147			50
	6A3.2416/S5FZ	L = 162			50
6A3.2418/S5FZ	L = 177		50		
6A3.2420/S5FZ	L = 202		50		
FLANGIA DI CONTENIMENTO ARRETIERSCHEIBE FLASQUE DE GUIDAGE GUIDE FLANGE 	6D5.6017	Ø 170	PLASTICA PER RULLO OTTAGONALE 60 mm	7	50
	6D5.6019	Ø 190	KUNSTSTOFF FÜR ACHTKANTWELLE 60 mm		50
	6D5.6022	Ø 220	PLASTIQUE POUR AXE OCTOGONALE 60 mm		50
	6D5.6024	Ø 245	PLASTIC FOR OCTAGONAL REEL 60 mm		50

Sistema "Domino" per Cassonetti in Alluminio
 System "Domino" für Aluminium Kasten
 Système "Domino" pour coffres en Aluminium
 "Domino" system for Aluminium shutter Housings

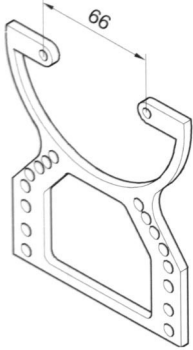
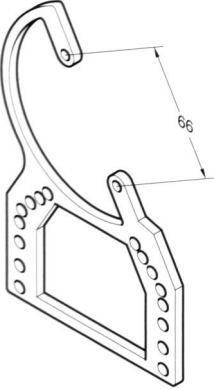
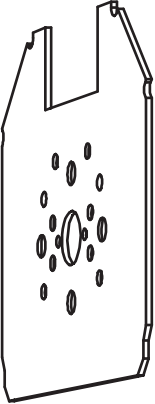


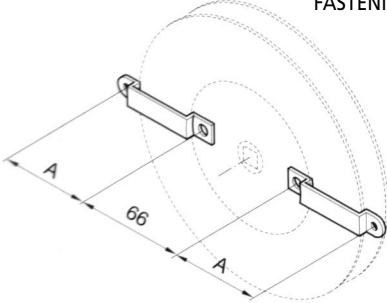
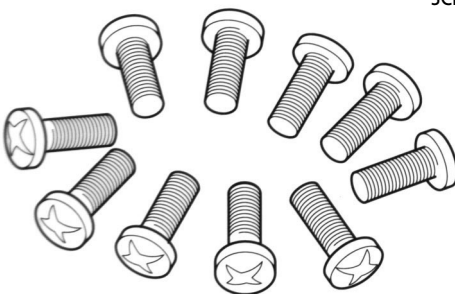
Tipo Typ / Type / Type	Codice Art / Ref / Item	Dimensioni (mm) Abmessungen (mm) Dimensions (mm) Dimensions (mm)	Note Anmerkungen / Notes / Notes	POS.	Imballo Verpackung Condition Packing
PIASTRA DI CONTENIMENTO 45° ABWEISBLECH 45° PLAQUE-CONSOLE 45° SAFETY PLATE 45°  <div style="text-align: right; border: 1px solid black; padding: 2px; width: fit-content; margin-left: auto;">NEW</div>	6A3.2512/5FC6	L = 125	PER SUPPORTO 6D3.5415 FÜR LAGER 6D3.5415 POUR SUPPORT 6D3.5415 FOR BRACKET 6D3.5415T		100
	6A3.2513/5FC6	L = 137			100
	6A3.2515/5FC6	L = 150			100
			FERRO ZINCATO - FORO Ø55 mm VERZINKTER STAHL - BOHRUNG Ø55 mm ACIER GALVANISE - TROU Ø55 mm GALVANIZED STEEL - HOLE Ø55 mm		
PIASTRA DI CONTENIMENTO 45° ABWEISBLECH 45° PLAQUE-CONSOLE 45° SAFETY PLATE 45°  <div style="text-align: right; border: 1px solid black; padding: 2px; width: fit-content; margin-left: auto;">NEW</div>	6A3.2813/5FC6	L = 137	PER SUPPORTO 6D3.5415 FÜR LAGER 6D3.5415 POUR SUPPORT 6D3.5415 FOR BRACKET 6D3.5415		100
	6A3.2815/5FC6	L = 150			100
	6A3.2816/5FC6	L = 165			100
	6A3.2818/5FC6	L = 180			100
	6A3.2820/5FC6	L = 205			100
	6A3.2823/5FC6	L = 230			100
	6A3.2825/5FC6	L = 250	FERRO ZINCATO - FORO Ø55 mm VERZINKTER STAHL - BOHRUNG Ø55 mm ACIER GALVANISE - TROU Ø55 mm GALVANIZED STEEL - HOLE Ø55 mm		100

Tipo Typ / Type / Type	Codice Art / Ref / Item	Dimensioni (mm) Abmessungen (mm) Dimensions (mm) Dimensions (mm)	Note Anmerkungen / Notes / Notes	POS.	Imballo Verpackung Condition Packing
<p>SUPPORTO DI FISSAGGIO BEFESTIGUNGSLAGER SUPPORT DE FIXATION FASTENING BRACKET</p> 	<p>6C3.7101</p>	<p>125 ÷ 165</p>	<p>FERRO ZINCATO - PER MOLLE DI COMPENSAZIONE E MOTORI SENZA MANOVRA DI SOCCORSO</p> <p>VERZINKTER STAHL - FÜR HILFSFEDERN UND MOTORE OHNE NOTGETRIEBE</p> <p>ACIER GALVANISE - POUR RESSORTS DE COMPENSATION ET MOTEURS SANS MANOEUVRE DE SECOURS</p> <p>GALVANIZED STEEL - FOR ASSIST SPRINGS AND MOTORS WITHOUT MANUAL OVERRIDE</p>	<p>9</p>	<p>20</p>
<p>SUPPORTO DI FISSAGGIO BEFESTIGUNGSLAGER SUPPORT DE FIXATION FASTENING BRACKET</p> 	<p>6C3.7102</p>	<p>180 ÷ 250</p>	<p>FERRO ZINCATO - PER MOLLE DI COMPENSAZIONE E MOTORI SENZA MANOVRA DI SOCCORSO</p> <p>VERZINKTER STAHL - FÜR HILFSFEDERN UND MOTORE OHNE NOTGETRIEBE</p> <p>ACIER GALVANISE - POUR RESSORTS DE COMPENSATION ET MOTEURS SANS MANOEUVRE DE SECOURS</p> <p>GALVANIZED STEEL - FOR ASSIST SPRINGS AND MOTORS WITHOUT MANUAL OVERRIDE</p>	<p>9</p>	<p>20</p>
<p>SUPPORTO DI FISSAGGIO BEFESTIGUNGSLAGER SUPPORT DE FIXATION FASTENING BRACKET</p> 	<p>6C3.7103</p>		<p>FERRO ZINCATO - PER MOLLE DI COMPENSAZIONE PER ART. 6C3.7101 - 6C3.7102</p> <p>VERZINKTER STAHL - FÜR HILFSFEDERN FÜR ART. 6C3.7101 - 6C3.7102</p> <p>ACIER GALVANISE - POUR RESSORTS DE COMPENSATION POUR REF. 6C3.7101 - 6C3.7102</p> <p>GALVANIZED STEEL - FOR ASSIST SPRINGS FOR ITEM 6C3.7101 - 6C3.7102</p>	<p>10</p>	<p>100</p>

Sistema "Domino" per Cassonetti in Alluminio
 System "Domino" für Aluminium Kasten
 Système "Domino" pour coffres en Aluminium
 "Domino" system for Aluminium shutter Housings

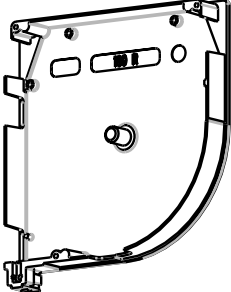
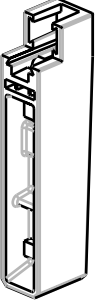
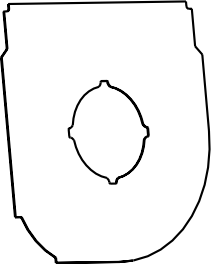
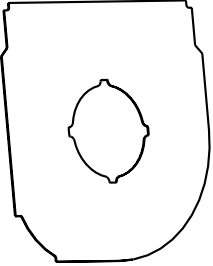


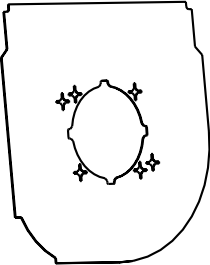
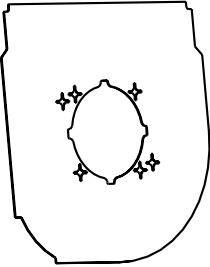
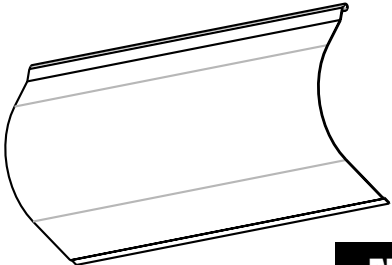
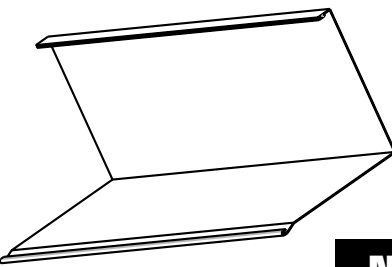
Tipo Typ / Type / Type	Codice Art / Ref / Item	Dimensioni (mm) Abmessungen (mm) Dimensions (mm) Dimensions (mm)	Note Anmerkungen / Notes / Notes	POS.	Imballo Verpackung Condition Packing
 <p>SUPPORTO DI FISSAGGIO BEFESTIGUNGSLAGER SUPPORT DE FIXATION FASTENING BRACKET</p>	6D3.5401	125 ÷ 250	NYLON - PER ARGANELLI "ACE" NYLON - FÜR GETRIEBE "ACE" NYLON - POUR TREUILS "ACE" NYLON - FOR GEARS "ACE"	8	200
 <p>SUPPORTO DI FISSAGGIO BEFESTIGUNGSLAGER SUPPORT DE FIXATION FASTENING BRACKET</p>	6D3.5402	125 ÷ 250	NYLON - PER ARGANELLI "ACE" NYLON - FÜR GETRIEBE "ACE" NYLON - POUR TREUILS "ACE" NYLON - FOR GEARS "ACE"		200
 <p>SUPPORTO DI FISSAGGIO BEFESTIGUNGSLAGER SUPPORT DE FIXATION FASTENING BRACKET</p>	6C3.7104 6C3.7105 6C3.7106 6C3.7107 6C3.7108	137 150 165 180 205	ACCIAIO - PER FRS STAHL - FÜR FRS ACIER - POUR FRS STEEL - FOR FRS		50 50 25 25 25

Tipo Typ / Type / Type	Codice Art / Ref / Item	Dimensioni (mm) Abmessungen (mm) Dimensions (mm) Dimensions (mm)	Note Anmerkungen / Notes / Notes	POS.	Imballo Verpackung Condition Packing
STAFFA DI FISSAGGIO BEFESTIGUNGSBÜGEL PATTE DE FISSAGE FASTENING BRACKET 	6A3.3015/FZ 6A3.3016/FZ 6A3.3018/FZ 6A3.3020/FZ 6A3.3023/FZ 6A3.3025/FZ	A = 43,2 A = 51,3 A = 59,3 A = 69 A = 81 A = 92	FERRO ZINCATO - PER MINI-RIDUTTORE VERZINKTER STAHL - FÜR MINI-GURTZUGGETRIEBE ACIER GALVANISE - POUR MINI-DEMULTEPLIFICATEUR GALVANIZED STEEL - FOR MINI-STRAP REDUCTION	11	25 25 25 25 25 25
VITI SCHRAUBEN VIS SCREWS 	3A1903506/FZ 3A1904008/FZ 3A1906016/FZ	Ø 3,5 x 6 T.C. Ø 4 x 8 T.C. Ø 6 x 16 T.C.	FERRO ZINCATO VERZINKTER STAHL ACIER GALVANISE GALVANIZED STEEL LOTTO MINIMO 400 PZ. MINDESTMENGE 400 ST. LOT MINIMAL 400 PCS MINIMUM LOT 400 PCS		80 80 80

Sistema "Domino" per Cassonetti in Alluminio
 System "Domino" für Aluminium Kasten
 Système "Domino" pour coffres en Aluminium
 "Domino" system for Aluminium shutter Housings



Tipo Typ / Type / Type	Codice Art / Ref / Item	Dimensioni (mm) Abmessungen (mm) Dimensions (mm) Dimensions (mm)	Note Anmerkungen / Notes / Notes	POS.	Imballo Verpackung Condition Packing
FIANCO DOMINOSOFT DOMINOSOFT BLENDEKAPPE CONSOLE DOMINOSOFT DOMINOSOFT SIDE FRAME  <div style="text-align: right;">NEW</div>	6C8.8015/...	L = 150	ALLUMINIO PRESSOFUSO - BORDO 1,5 mm DRUCKGUSS ALUMINIUM - RAND 1,5 mm ALUMINIUM MOULE SOUS PRESSION - BORD 1,5 mm DIE-CASTED ALUMINIUM - EDGE 1,5 mm		25
	6C8.8018/...	L = 180			25
	6C8.8020/...	L = 205			25
	(...) TABELLA COLORI 182 FARBTABELLE SEITE 182 TABLEAU DES COULEURS PAGE 182 COLOURS TABLE PAGE 182				
GAMBO CON CLIP ZAPPEN MIT CLIP PATTE AVEC CLIP SHANK WITH CLIP  <div style="text-align: right;">NEW</div>	6C3.5501/Z		ZAMA ZAMAK ZAMAC ZAMAK		100
PIASTRA DI CONTENIMENTO DOMINOSOFT DOMINOSOFT ABWEISBLECH PLAQUE-CONSOLE DOMINOSOFT DOMINOSOFT SAFETY PLATE  <div style="text-align: right;">NEW</div>	6A3.5515/SFZ	L = 150	FERRO ZINCATO FORO Ø55 mm		100
	6A3.5518/SFZ	L = 180	VERZINKTER STAHL BOHRUNG Ø55 mm		100
	6A3.5520/SFZ	L = 205	ACIER GALVANISE TROU Ø55 mm GALVANIZED STEEL HOLE Ø55 mm		100
PIASTRA DI CONTENIMENTO DOMINOSOFT DOMINOSOFT ABWEISBLECH PLAQUE-CONSOLE DOMINOSOFT DOMINOSOFT SAFETY PLATE  <div style="text-align: right;">NEW</div>	6A3.5815/SFZ	L = 150	FERRO ZINCATO FORO Ø72 mm		100
	6A3.5818/SFZ	L = 180	VERZINKTER STAHL BOHRUNG Ø72 mm		100
	6A3.5820/SFZ	L = 205	ACIER GALVANISE TROU Ø72 mm GALVANIZED STEEL HOLE Ø72 mm		100

Tipo Typ / Type / Type	Codice Art / Ref / Item	Dimensioni (mm) Abmessungen (mm) Dimensions (mm) Dimensions (mm)	Note Anmerkungen / Notes / Notes	POS.	Imballo Verpackung Condition Packing
PIASTRA DI CONTENIMENTO DOMINOSOFT DOMINOSOFT ABWEISBLECH PLAQUE-CONSOLE DOMINOSOFT DOMINOSOFT SAFETY PLATE  <div style="text-align: right;">NEW</div>	6A3.5515/SFC6	L = 150	PER SUPPORTO 6D3.5415 FÜR LAGER 6D3.5415 POUR SUPPORT 6D3.5415 FOR BRACKET 6D3.5415 FERRO ZINCATO - FORO Ø55 mm VERZINKTER STAHL - BOHRUNG Ø55 mm ACIER GALVANISE - TROU Ø55 mm GALVANIZED STEEL - HOLE Ø55 mm		100
PIASTRA DI CONTENIMENTO DOMINOSOFT DOMINOSOFT ABWEISBLECH PLAQUE-CONSOLE DOMINOSOFT DOMINOSOFT SAFETY PLATE  <div style="text-align: right;">NEW</div>	6A3.5815/SFC6 6A3.5818/SFC6 6A3.5820/SFC6	L = 150 L = 180 L = 205	PER SUPPORTO 6D3.5415 FÜR LAGER 6D3.5415 POUR SUPPORT 6D3.5415 FOR BRACKET 6D3.5415 FERRO ZINCATO - FORO Ø72 mm VERZINKTER STAHL - BOHRUNG Ø72 mm ACIER GALVANISE - TROU Ø72 mm GALVANIZED STEEL - HOLE Ø72 mm		100 100 100
PROFILO BASSO DOMINOSOFT BLENDE FÜR KASTEN DOMINOSOFT - UNTERTEIL PROFIL POUR COFFRE DOMINOSOFT - BASS DOMINOSOFT SHUTTER HOUSING PROFILE - BOTTON  <div style="text-align: right;">NEW</div>	6B7.6815/... 6B7.6818/... 6B7.6820/...	L = 150 L = 180 L = 205	ALLUMINIO PRESSOPIEGATO ROLLVERFORMTES ALUMINIUM ALUMINIUM PROFILE ROLLFORMED ALUMINIUM /26= BIANCO - WEISS - BLANC - WHITE /40= MARRONE - BRAUN - MARRON - BROWN		5x6mt 5x6mt 5x6mt
PROFILO ALTO DOMINOSOFT BLENDE FÜR KASTEN DOMINOSOFT - OBERTEIL PROFIL POUR COFFRE DOMINOSOFT - HAUT DOMINOSOFT SHUTTER HOUSING PROFILE - TOP  <div style="text-align: right;">NEW</div>	6B7.6115/... 6B7.6118/... 6B7.6120/...	L = 150 L = 180 L = 205	ALLUMINIO PRESSOPIEGATO ROLLVERFORMTES ALUMINIUM ALUMINIUM PROFILE ROLLFORMED ALUMINIUM /26= BIANCO - WEISS - BLANC - WHITE /40= MARRONE - BRAUN - MARRON - BROWN		5x6mt 5x6mt 5x6mt