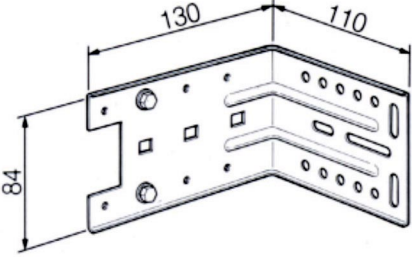
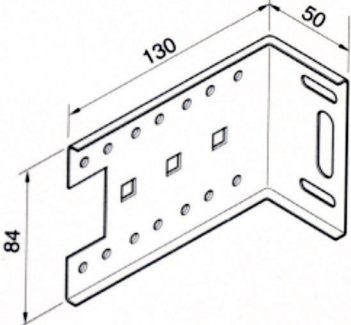
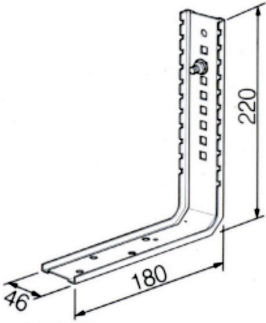
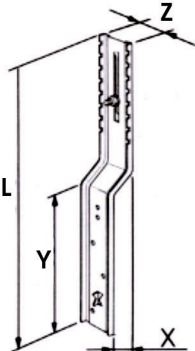
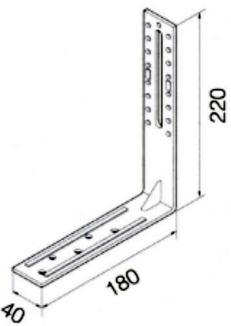
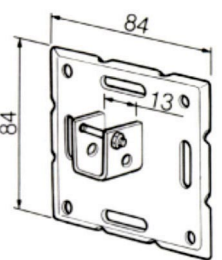
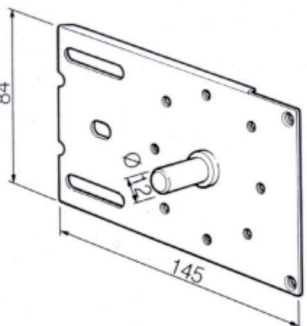
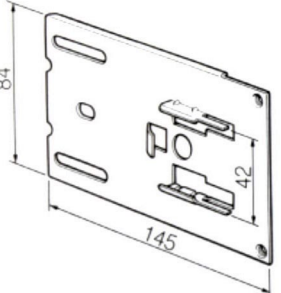


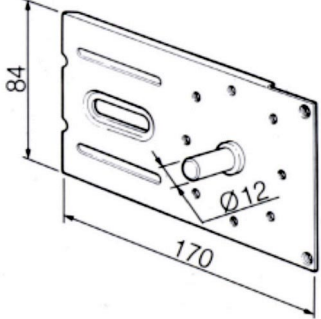
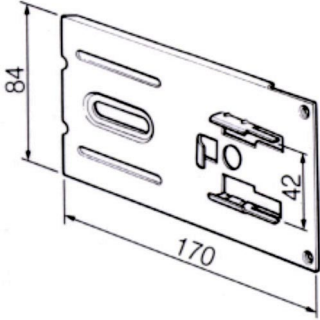
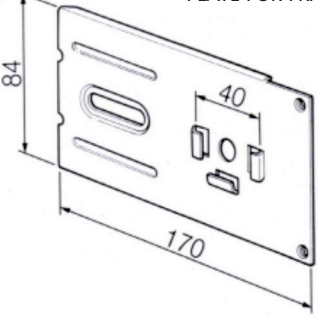
Supporti e Cuscinetti
Lager und Kugellager
Supports et roulements à billes
Brackets and Ball Bearings

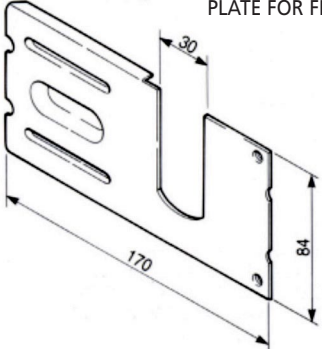
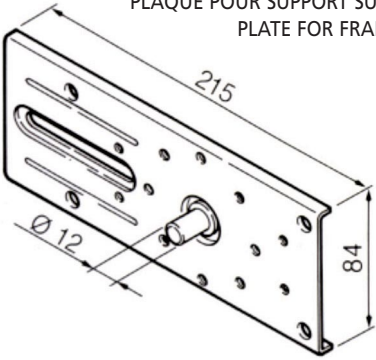
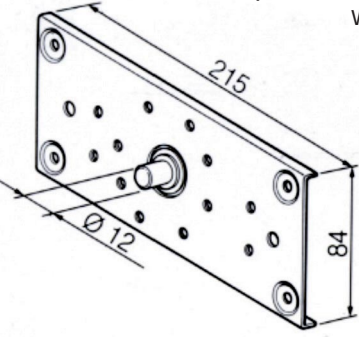
3

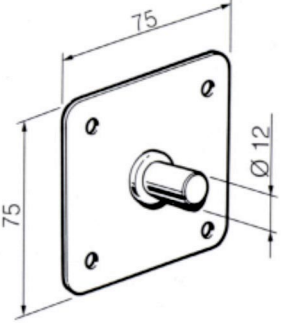
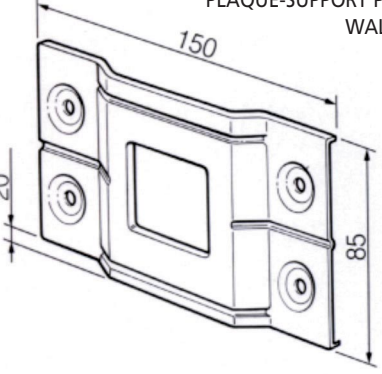
Tipo Typ / Type / Type	Codice Art / Ref / Item	Dimensioni (mm) Abmessungen (mm) Dimensions (mm) Dimensions (mm)	Note Anmerkungen / Notes / Notes	Imballo Verpackung Condition / Packing
<p>SQUADRA UNIVERSALE UNIVERSALES WINKELLAGER EQUERRE UNIVERSELLE UNIVERSAL SQUARE BRACKET</p> 	<p>6A3.9611</p>		<p>FERRO ZINCATO - FORI FILETTATI M6 VERZINKTER STAHL - GEWINDELÖCHER M6 ACIER GALVANISE - TROUS TARAUDÉS M6 GALVANIZED STEEL - THREADED HOLES M6</p>	<p>50</p>
<p>SQUADRA UNIVERSALE UNIVERSALES WINKELLAGER EQUERRE UNIVERSELLE UNIVERSAL SQUARE BRACKET</p> 	<p>6A3.9642</p>		<p>FERRO ZINCATO VERZINKTER STAHL ACIER GALVANISE GALVANIZED STEEL</p>	<p>50</p>
<p>SQUADRA A TELAIO WINKELLAGER FÜR KONSOLE SUPPORT A EQUERRE POUR DORMANT SQUARE BRACKET FOR FRAME</p> 	<p>6C3.9212</p> <p>6C3.9213</p>		<p>FERRO ZINCATO VERZINKTER STAHL ACIER GALVANISE GALVANIZED STEEL</p> <p>4 FORI 4 LÖCHER 4 TROUS 4 HOLES</p>	<p>50</p> <p>50</p>
<p>SUPPORTO LATERALE A TELAIO SEITENLAGER FÜR KONSOLE SUPPORT LATERAL POUR DORMANT LATERAL BRACKET FOR FRAME</p> 	<p>6C3.9153</p> <p>6C3.9158</p> <p>6C3.9405</p>	<p>X = 30 L = 370 Y = 160 Z = 46</p> <p>X = 80 L = 370 Y = 160 Z = 46</p> <p>X = 50 L = 350 Y = 145 Z = 40</p>	<p>FERRO ZINCATO VERZINKTER STAHL ACIER GALVANISE GALVANIZED STEEL</p>	<p>50</p> <p>50</p> <p>50</p>

Tipo Typ / Type / Type	Codice Art / Ref / Item	Dimensioni (mm) Abmessungen (mm) Dimensions (mm) Dimensions (mm)	Note Anmerkungen / Notes / Notes	Imballo Verpackung Condition Packing
<p>SQUADRA A TELAIO WINKELLAGER FÜR KONSOLE SUPPORT A EQUERRE POUR DORMANT SQUARE BRACKET FOR FRAME</p> 	<p>6C3.9490</p>	<p>L = 40</p>	<p>FERRO ZINCATO VERZINKTER STAHL ACIER GALVANISE GALVANIZED STEEL</p>	<p>50</p>
<p>PIASTRA PER SQUADRA UNIVERSALE PLATTE FÜR UNIVERSALES WINKELLAGER PLAQUE-SUPPORT POUR EQUERRE UNIVERSELLE PLATE FOR UNIVERSAL SQUARE BRACKET</p> 	<p>6A3.9838</p>		<p>FERRO ZINCATO PER MOLLA DI COMPENSAZIONE VERZINKTER STAHL FÜR HILFSFEDER ACIER GALVANISE POUR RESSORT DE COMPENSATION GALVANIZED STEEL FOR ASSIST SPRING</p>	<p>50</p>
<p>PIASTRA PER SQUADRA UNIVERSALE PLATTE FÜR UNIVERSALES WINKELLAGER PLAQUE-SUPPORT POUR EQUERRE UNIVERSELLE PLATE FOR UNIVERSAL SQUARE BRACKET</p> 	<p>6A3.9816</p>	<p>Min. : 50 Max. : 80</p>	<p>FERRO ZINCATO PER ARGANELLO ACE E MINI-RIDUTTORE VERZINKTER STAHL FÜR KURBELGETRIEBE-ACE UND MINI-GURTZUGGETRIEBE ACIER GALVANISE POUR TREUIL ACE ET MINI-DEMULTEPLIFICATEUR GALVANIZED STEEL FOR GEAR ACE AND MINI-STRAP REDUCTION GEAR</p>	<p>50</p>
<p>PIASTRA PER SQUADRA UNIVERSALE PLATTE FÜR UNIVERSALES WINKELLAGER PLAQUE-SUPPORT POUR EQUERRE UNIVERSELLE PLATE FOR UNIVERSAL SQUARE BRACKET</p> 	<p>6A3.9811</p>	<p>Min. : 50 Max. : 80</p>	<p>FERRO ZINCATO PER CUSCINETTO Ø 42 MM VERZINKTER STAHL FÜR KUGELLAGER Ø42 MM ACIER GALVANISE POUR ROULEMENT A BILLES Ø42 MM GALVANIZED STEEL FOR BALL BEARING Ø42 MM</p>	<p>50</p>

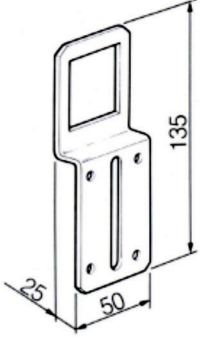
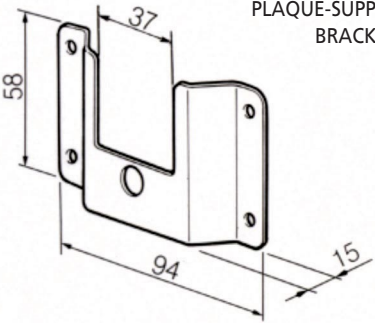
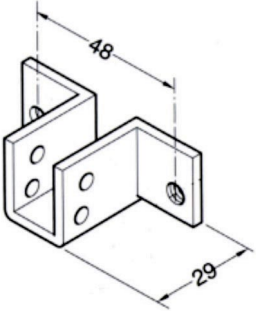
3

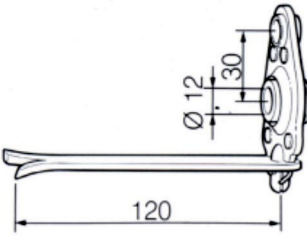
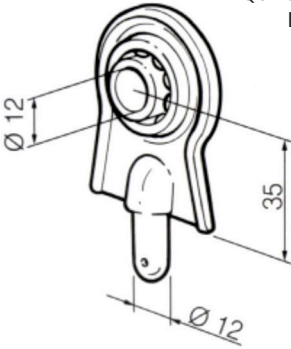
Tipo Typ / Type / Type	Codice Art / Ref / Item	Dimensioni (mm) Abmessungen (mm) Dimensions (mm) Dimensions (mm)	Note Anmerkungen / Notes / Notes	Imballo Verpackung Condition Packing
<p>PIASTRA PER SUPPORTO A TELAIO PLATTE FÜR KONSOLENLAGER PLAQUE POUR SUPPORT SUR DORMANT PLATE FOR FRAME BRACKET</p> 	<p>6A3.9326</p>	<p>Min. : 60 Max. : 90</p>	<p>FERRO ZINCATO PER ARGANELLO ACE E MINI-RIDUTTORE</p> <p>VERZINKTER STAHL FÜR KURBELGETRIEBE-ACE UND MINI-GURTZUGGETRIEBE</p> <p>ACIER GALVANISE POUR TREUIL ACE ET MINI-DEMULTEPLIFICATEUR</p> <p>GALVANIZED STEEL FOR GEAR ACE AND MINI-STRAP REDUCTION GEAR</p>	<p>50</p>
<p>PIASTRA PER SUPPORTO A TELAIO PLATTE FÜR KONSOLENLAGER PLAQUE POUR SUPPORT SUR DORMANT PLATE FOR FRAME BRACKET</p> 	<p>6A3.9321</p>	<p>Min. : 60 Max. : 90</p>	<p>FERRO ZINCATO PER CUSCINETTO Ø42 MM</p> <p>VERZINKTER STAHL FÜR KUGELLAGER Ø42 MM</p> <p>ACIER GALVANISE POUR ROULEMENT A BILLES Ø42 MM</p> <p>GALVANIZED STEEL FOR BALL BEARING Ø42 MM</p>	<p>50</p>
<p>PIASTRA PER SUPPORTO A TELAIO PLATTE FÜR KONSOLENLAGER PLAQUE POUR SUPPORT SUR DORMANT PLATE FOR FRAME BRACKET</p> 	<p>6C3.9310/D Destra Rechts Droite Right</p> <p>6C3.9310/S Sinistra Links Gauche Left</p>	<p>Min. : 60 Max. : 90</p> <p>Min. : 60 Max. : 90</p>	<p>FERRO ZINCATO PER CUSCINETTO CON RONDELLA ART. 6C3.5810</p> <p>VERZINKTER STAHL FÜR KUGELLAGER ART. 6C3.5810</p> <p>ACIER GALVANISE POUR ROULEMENT A BILLES REF. 6C3.5810</p> <p>GALVANIZED STEEL FOR BALL BEARING ITEM 6C3.5810</p>	<p>50</p> <p>50</p>

Tipo Typ / Type / Type	Codice Art / Ref / Item	Dimensioni (mm) Abmessungen (mm) Dimensions (mm) Dimensions (mm)	Note Anmerkungen / Notes / Notes	Imballo Verpackung Condition Packing
<p>PIASTRA PER SUPPORTO A TELAIO PLATTE FÜR KONSOLENLAGER PLAQUE POUR SUPPORT SUR DORMANT PLATE FOR FRAME BRACKET</p> 	<p>6A3.9322/D Destra Rechts Droite Right</p> <p>6A3.9322/S Sinistra Links Gauche Left</p>	<p>Min. : 60 Max. : 90</p> <p>Min. : 60 Max. : 90</p>	<p>FERRO ZINCATO PER RONDELLA NYLON ART. 6D3.8241</p> <p>VERZINKTER STAHL FÜR NYLON INNENRING ART. 6D3.8241</p> <p>ACIER GALVANISE POUR NOYAU EN NYLON REF. 6D3.8241</p> <p>GALVANIZED STEEL FOR NYLON BUSHING ITEM 6D3.8241</p>	<p>50</p> <p>50</p>
<p>PIASTRA PER SUPPORTO A TELAIO PLATTE FÜR KONSOLENLAGER PLAQUE POUR SUPPORT SUR DORMANT PLATE FOR FRAME BRACKET</p> 	<p>6A3.9306</p>	<p>Min. : 50 Max. : 120</p>	<p>FERRO ZINCATO PER ARGANELLI DELTA-OLIMPIA E MINI-RIDUTTORE</p> <p>VERZINKTER STAHL FÜR KURBELGETRIEBE DELTA-OLIMPIA UND MINI-GURTZUGGETRIEBE</p> <p>ACIER GALVANISE POUR TREUIL DELTA-OLIMPIA ET MINI-DEMULTEPLIFICATEUR</p> <p>GALVANIZED STEEL FOR GEAR DELTA-OLIMPIA AND MINI-STRAP REDUCTION GEAR</p>	<p>50</p>
<p>SUPPORTO A PARETE WANDLAGER PLAQUE-SUPPORT POUR PAROI WALL BRACKET</p> 	<p>6C3.5913</p>		<p>FERRO ZINCATO PER ARGANELLI DELTA-OLIMPIA E MINI-RIDUTTORE</p> <p>VERZINKTER STAHL FÜR KURBELGETRIEBE DELTA-OLIMPIA UND MINI-GURTZUGGETRIEBE</p> <p>ACIER GALVANISE POUR TREUIL DELTA-OLIMPIA ET MINI-DEMULTEPLIFICATEUR</p> <p>GALVANIZED STEEL FOR GEAR DELTA-OLIMPIA AND MINI-STRAP REDUCTION GEAR</p>	<p>50</p>

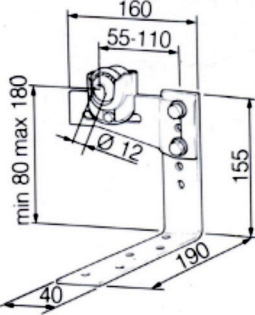
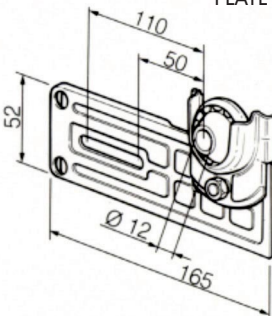
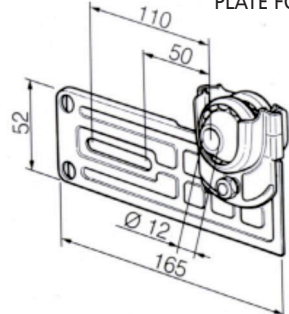
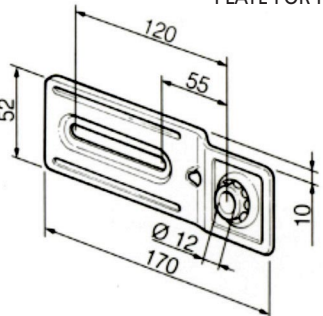
Tipo Typ / Type / Type	Codice Art / Ref / Item	Dimensioni (mm) Abmessungen (mm) Dimensions (mm) Dimensions (mm)	Note Anmerkungen / Notes / Notes	Imballo Verpackung Condition Packing
<p>SUPPORTO DA AVVITARE ANSCHRAUBLAGER PLAQUE-SUPPORT A VISSER BRACKET TO SCREW</p> 	<p>6A3.5315</p>		<p>FERRO ZINCATO VERZINKTER STAHL ACIER GALVANISE GALVANIZED STEEL</p>	<p>100</p>
<p>SUPPORTO A PARETE WANDLAGER PLAQUE-SUPPORT POUR PAROI WALL BRACKET</p> 	<p>6C3.5912</p>		<p>FERRO ZINCATO PER RIDUTTORE EXPORT VERZINKTER STAHL FÜR GURTZUGGETRIEBE EXPORT ACIER GALVANISE POUR DEMULTIPLICATEUR EXPORT GALVANIZED STEEL FOR STRAP REDUCTION GEAR EXPORT</p>	<p>50</p>

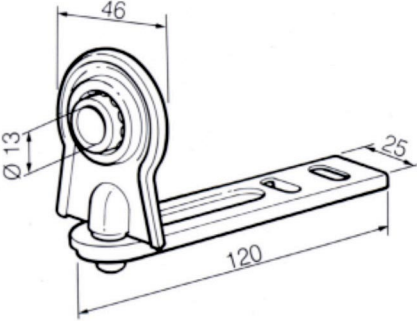
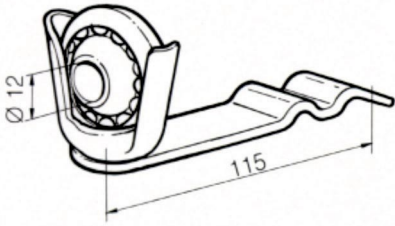
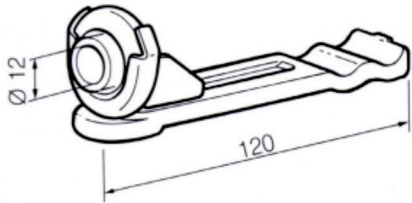
3

Tipo Typ / Type / Type	Codice Art / Ref / Item	Dimensioni (mm) Abmessungen (mm) Dimensions (mm) Dimensions (mm)	Note Anmerkungen / Notes / Notes	Imballo Verpackung Condition Packing
<p>SUPPORTO DA AVVITARE VERTICALE SENKRECHTES ANSCHRAUBLAGER PLAQUE-SUPPORT VERTICALE A VISSER VERTICAL BRACKET TO SCREW</p> 	<p>6C3.5305</p>		<p>FERRO ZINCATO PER RIDUTTORE EXPORT</p> <p>VERZINKTER STAHL FÜR GURTZUGGETRIEBE EXPORT</p> <p>ACIER GALVANISE POUR DEMULTIPLICATEUR EXPORT</p> <p>GALVANIZED STEEL FOR STRAP REDUCTION GEAR EXPORT</p>	<p>50</p>
<p>SUPPORTO DA AVVITARE ANSCHRAUBLAGER PLAQUE-SUPPORT A VISSER BRACKET TO SCREW</p> 	<p>6A3.5312</p>		<p>FERRO ZINCATO PER CUSCINETTO QUADRO ART. 6C3.5801</p> <p>VERZINKTER STAHL FÜR VIERECKIGES KUGELLAGER ART. 6C3.5801</p> <p>ACIER GALVANISE POUR ROULEMENT A BILLES CARRE REF. 6C3.5801</p> <p>GALVANIZED STEEL FOR SQUARE BALL BEARING ITEM 6C3.5801</p>	<p>100</p>
<p>SUPPORTO DI FISSAGGIO BEFESTIGUNGSLAGER SUPPORT DE FISSAGE FASTENING BRACKET</p> 	<p>6C3.7103</p>		<p>FERRO ZINCATO PER MOLLE DI COMPENSAZIONE</p> <p>VERZINKTER STAHL FÜR HILFSFEDERN</p> <p>ACIER GALVANISE POUR RESSORTS DE COMPENSATION</p> <p>GALVANIZED STEEL FOR ASSIST SPRINGS</p> <p>VEDI GRUPPO DOMINO SIEHE GRUPPE DOMINO VOIR GROUPE DOMINO SEE GROUP DOMINO</p>	<p>100</p>

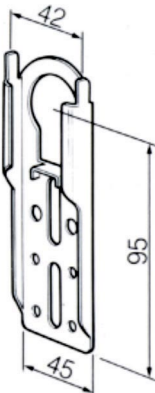
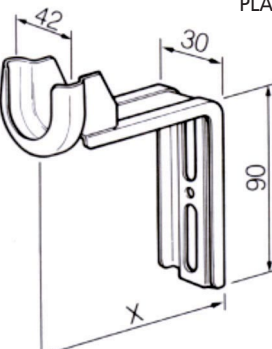
Tipo Typ / Type / Type	Codice Art / Ref / Item	Dimensioni (mm) Abmessungen (mm) Dimensions (mm) Dimensions (mm)	Note Anmerkungen / Notes / Notes	Imballo Verpackung Condition Packing
<p>SUPPORTO DA MURARE EINGIPSLAGER SUPPORT A SCELLER BRACKET TO WALL</p> 	<p>6C3.5301</p>		<p>FERRO LUCIDO PER RIDUTTORE STANDARD</p> <p>BLANKER STAHL FÜR GURTZUGGETRIEBE STANDARD</p> <p>ACIER BRUT POUR DEMULTIPLIFICATEUR STANDARD</p> <p>BLANK STEEL FOR REDUCTION GEAR STANDARD</p>	<p>50</p>
<p>SUPPORTO A SFERE KUGELLAGER PLAQUE-SUPPORT A ROULEMENT BALL BEARING BRACKET</p> 	<p>6C3.5608/FL</p>		<p>FERRO LUCIDO BLANKER STAHL ACIER BRUT BLANK STEEL</p>	<p>100</p>

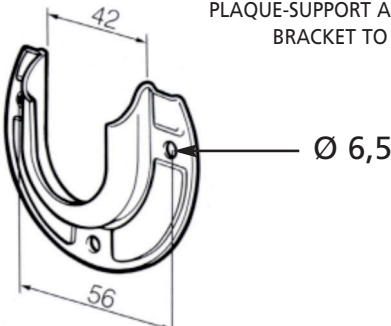
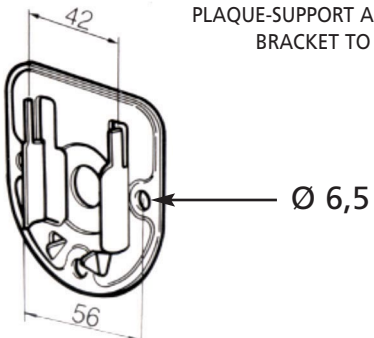
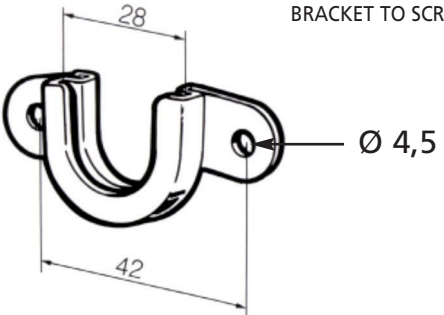
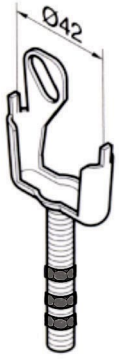
3

Tipo Typ / Type / Type	Codice Art / Ref / Item	Dimensioni (mm) Abmessungen (mm) Dimensions (mm) Dimensions (mm)	Note Anmerkungen / Notes / Notes	Imballo Verpackung Condition Packing
<p>SUPPORTO REGOLABILE EXPORT DOPPELBOCKLAGER EXPORT SUPPORT REGLABLE EXPORT ADJUSTABLE BRACKET EXPORT</p> 	<p>6C3.5520</p>		<p>FERRO ZINCATO CON DOPPIO CUSCINETTO SFILABILE</p> <p>VERZINKTER STAHL MIT ZWEI ABNEHMBAREN KUGELLAGERN</p> <p>ACIER GALVANISE AVEC DEUX ROULEMENTS A BILLES DEMONTABLES</p> <p>GALVANIZED STEEL WITH TWO EXTRACTABLE BALL BEARINGS</p>	<p>20</p>
<p>PIASTRA PER SUPPORTO A TELAIO PLATTE FÜR KONSOLENLAGER PLAQUE POUR SUPPORT SUR DORMANT PLATE FOR FRAME BRACKET</p> 	<p>6C3.9332</p>		<p>FERRO ZINCATO CON CUSCINETTO SFILABILE</p> <p>VERZINKTER STAHL MIT ABNEHMBAREN KUGELLAGER</p> <p>ACIER GALVANISE AVEC ROULEMENT A BILLES DEMONTABLE</p> <p>GALVANIZED STEEL WITH EXTRACTABLE BALL BEARING</p>	<p>50</p>
<p>PIASTRA PER SUPPORTO A TELAIO PLATTE FÜR KONSOLENLAGER PLAQUE POUR SUPPORT SUR DORMANT PLATE FOR FRAME BRACKET</p> 	<p>6C3.9333</p>		<p>FERRO ZINCATO CON DOPPIO CUSCINETTO SFILABILE</p> <p>VERZINKTER STAHL MIT ZWEI ABNEHMBAREN KUGELLAGERN</p> <p>ACIER GALVANISE AVEC DEUX ROULEMENTS A BILLES DEMONTABLES</p> <p>GALVANIZED STEEL WITH TWO EXTRACTABLE BALL BEARINGS</p>	<p>50</p>
<p>PIASTRA PER SUPPORTO A TELAIO PLATTE FÜR KONSOLENLAGER PLAQUE POUR SUPPORT SUR DORMANT PLATE FOR FRAME BRACKET</p> 	<p>6C3.9331</p>		<p>FERRO ZINCATO SPORGENTE CON CUSCINETTO INCORPORATO</p> <p>VERZINKTER STAHL MIT EINGEBAUTEM KUGELLAGER</p> <p>ACIER GALVANISE AVEC ROULEMENT A BILLES INCORPORE</p> <p>GALVANIZED STEEL WITH INCORPORATED BALL BEARING</p>	<p>50</p>

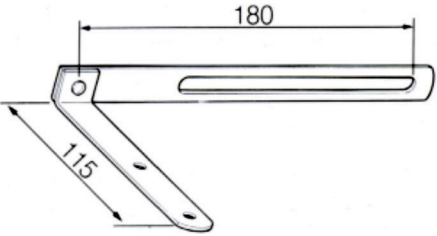
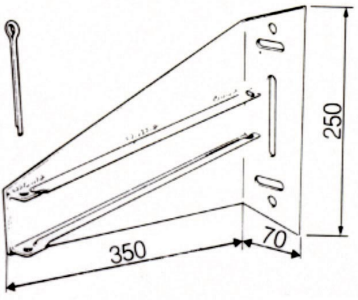
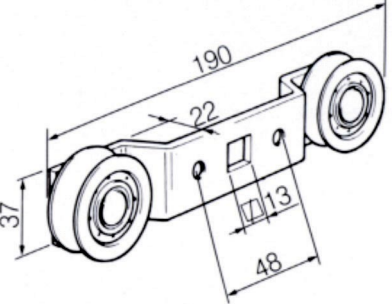
Tipo Typ / Type / Type	Codice Art / Ref / Item	Dimensioni (mm) Abmessungen (mm) Dimensions (mm) Dimensions (mm)	Note Anmerkungen / Notes / Notes	Imballo Verpackung Condition Packing
<p>SUPPORTO DA MURARE CON CUSCINETTO EINGIPSLAGER MIT KUGELLAGER SUPPORT A SCELLER AVEC ROULEMENT A BILLES BRACKET TO WALL WITH BALL BEARING</p> 	<p>6C3.5607</p>		<p>FERRO LUCIDO TIPO LEGGERO BLANKER STAHL LEICHTER TYP ACIER BRUT TYPE LEGER BLANK STEEL LIGHT TYPE</p>	<p>50</p>
<p>SUPPORTO DA MURARE CON CUSCINETTO EINGIPSLAGER MIT KUGELLAGER SUPPORT A SCELLER AVEC ROULEMENT A BILLES BRACKET TO WALL WITH BALL BEARING</p> 	<p>6C3.5613/FZ</p>		<p>FERRO ZINCATO VERZINKTER STAHL ACIER GALVANISE GALVANIZED STEEL</p>	<p>100</p>
<p>SUPPORTO DA MURARE CON CUSCINETTO EINGIPSLAGER MIT KUGELLAGER SUPPORT A SCELLER AVEC ROULEMENT A BILLES BRACKET TO WALL WITH BALL BEARING</p> 	<p>6C3.5624/FZ</p>		<p>FERRO ZINCATO VERZINKTER STAHL ACIER GALVANISE GALVANIZED STEEL</p>	<p>100</p>

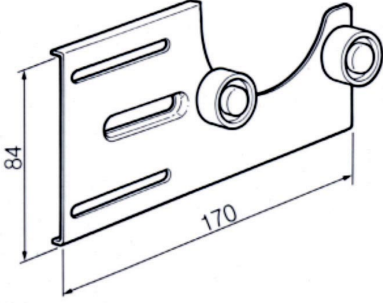
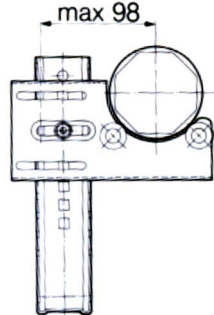
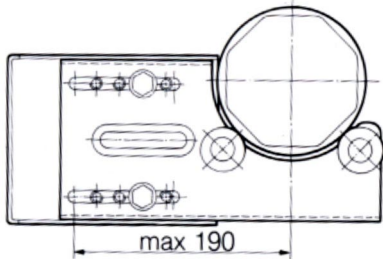
3

Tipo Typ / Type / Type	Codice Art / Ref / Item	Dimensioni (mm) Abmessungen (mm) Dimensions (mm) Dimensions (mm)	Note Anmerkungen / Notes / Notes	Imballo Verpackung Condition Packing
 <p>SUPPORTO DA AVVITARE ANSCHRAUBLAGER PLAQUE-SUPPORT A VISSER BRACKET TO SCREW</p>	6C3.5644		FERRO ZINCATO PER CUSCINETTO Ø 42 MM VERZINKTER STAHL FÜR KUGELLAGER Ø 42 MM ACIER GALVANISE POUR ROULEMENT A BILLES Ø 42 MM GALVANIZED STEEL FOR BALL BEARING Ø 42 MM	100
 <p>SUPPORTO DA AVVITARE ANSCHRAUBLAGER PLAQUE-SUPPORT A VISSER BRACKET TO SCREW</p>	6C3.5661 6C3.5662	X = 80 X = 25	FERRO ZINCATO PER CUSCINETTO Ø 42 MM VERZINKTER STAHL FÜR KUGELLAGER Ø 42 MM ACIER GALVANISE POUR ROULEMENT A BILLES Ø 42 MM GALVANIZED STEEL FOR BALL BEARING Ø 42 MM	100 100

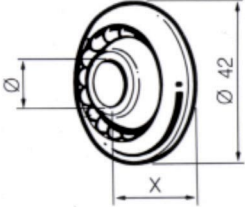
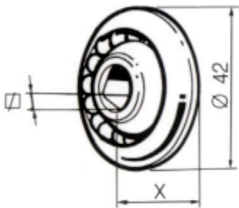
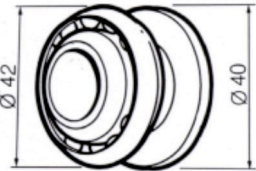
Tipo Typ / Type / Type	Codice Art / Ref / Item	Dimensioni (mm) Abmessungen (mm) Dimensions (mm) Dimensions (mm)	Note Anmerkungen / Notes / Notes	Imballo Verpackung Condition Packing
<p>SUPPORTO DA AVVITARE ANSCHRAUBLAGER PLAQUE-SUPPORT A VISSER BRACKET TO SCREW</p> 	<p>6C3.5625</p>		<p>FERRO ZINCATO PER CUSCINETTO Ø 42 MM VERZINKTER STAHL FÜR KUGELLAGER Ø 42 MM ACIER GALVANISE POUR ROULEMENT A BILLES Ø 42 MM GALVANIZED STEEL FOR BALL BEARING Ø 42 MM</p>	<p>100</p>
<p>SUPPORTO DA AVVITARE ANSCHRAUBLAGER PLAQUE-SUPPORT A VISSER BRACKET TO SCREW</p> 	<p>6C3.5630/FZ</p>		<p>FERRO ZINCATO PER CUSCINETTO Ø 42 MM VERZINKTER STAHL FÜR KUGELLAGER Ø 42 MM ACIER GALVANISE POUR ROULEMENT A BILLES Ø 42 MM GALVANIZED STEEL FOR BALL BEARING Ø 42 MM</p>	<p>100</p>
<p>SUPPORTO DA AVVITARE ANSCHRAUBLAGER PLAQUE-SUPPORT A VISSER BRACKET TO SCREW</p> 	<p>6C3.5706</p>		<p>FERRO ZINCATO PER MINI CUSCINETTO Ø 28 MM VERZINKTER STAHL FÜR MINI KUGELLAGER Ø 28 MM ACIER GALVANISE POUR ROULEMENT A BILLES Ø 28 MM GALVANIZED STEEL FOR MINI BALL BEARING Ø 28 MM</p>	<p>100</p>
<p>SUPPORTO REGOLABILE LAGER VERSTELLBAR SUPPORT REGLABLE ADJUSTABLE BRACKET</p> 	<p>6C3.5610CA/FZ</p>		<p>FERRO ZINCATO PER CUSCINETTO Ø 42 MM VERZINKTER STAHL FÜR KUGELLAGER Ø 42 MM ACIER GALVANISE POUR ROULEMENT A BILLES Ø 42 MM GALVANIZED STEEL FOR BALL BEARING Ø 42 MM</p>	<p>50</p>

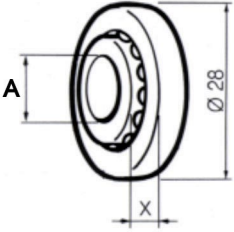
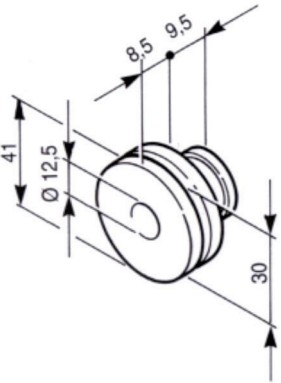
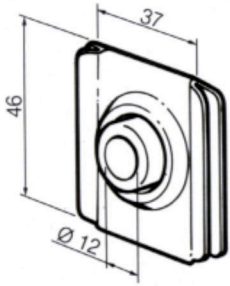
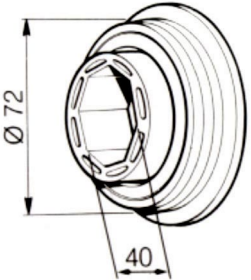
3

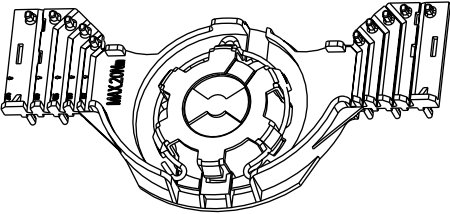
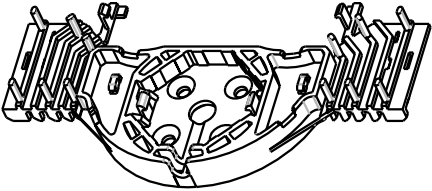
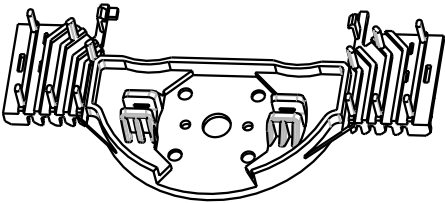
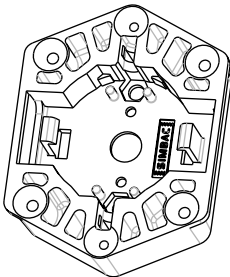
Tipo Typ / Type / Type	Codice Art / Ref / Item	Dimensioni (mm) Abmessungen (mm) Dimensions (mm) Dimensions (mm)	Note Anmerkungen / Notes / Notes	Imballo Verpackung Condition Packing
ZANCA DI RINFORZO VERSTÄRKUNGSANKER JAMBE DE FORCE REINFORCING BRACKET 	6C3.5927		FERRO ZINCATO VERZINKTER STAHL ACIER GALVANISE GALVANIZED STEEL	50
PIASTRA CON GUIDA SCORREVOLE LAGERPLATTE MIT SCHIENE PLAQUE-SUPPORT AVEC GUIDE BRACKET WITH RAILS 	6A3.5960		FERRO ZINCATO VERZINKTER STAHL ACIER GALVANISE GALVANIZED STEEL	8
CARRELLO PER MOLLA SCHIENENLAGER FÜR HILFSFEDER SUPPORT-CHARIOT POUR RESSORT DE COMPENSATION ROLLER BRACKET FOR ASSIST SPRING 	6A3.5961		FERRO ZINCATO VERZINKTER STAHL ACIER GALVANISE GALVANIZED STEEL	25

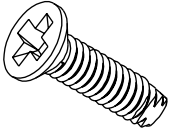
Tipo Typ / Type / Type	Codice Art / Ref / Item	Dimensioni (mm) Abmessungen (mm) Dimensions (mm) Dimensions (mm)	Note Anmerkungen / Notes / Notes	Imballo Verpackung Condition Packing
<p>SUPPORTO INTERMEDIO MITTELLAGER SUPPORT INTERMEDIAIRE INTERMEDIATE BRACKET</p> 	<p>6A3.9820</p>	<p>Min. : 60 Max. : 90</p>	<p>FERRO ZINCATO VERZINKTER STAHL ACIER GALVANISE GALVANIZED STEEL</p>	<p>50</p>
<p>SCHEMA DI MONTAGGIO PER SUPPORTO INTERMEDIO MONTAGESCHEMA DES MITTELLAGERS SCHEMA DE MONTAGE DU SUPPORT INTERMEDIAIRE ASSEMBLING DRAWING OF INTERMEDIATE BRACKET</p> 			<p>CON ANELLO ADATTATORE MIT ADAPTERRING AVEC BAGUE D'EPAISSEUR WITH ADAPTOR RING</p> <p>6D5.4370 : \varnothing 70 MM 6D5.4360 : \varnothing 60 MM</p> <p>CON SUPPORTO A TELAIO 6C3.9212 MIT KONSOLENLAGER 6C3.9212 AVEC SUPPORT SUR DORMANT 6C3.9212 WITH FRAME BRACKET 6C3.9212</p>	
<p>SCHEMA DI MONTAGGIO PER SUPPORTO INTERMEDIO MONTAGESCHEMA DES MITTELLAGERS SCHEMA DE MONTAGE DU SUPPORT INTERMEDIAIRE ASSEMBLING DRAWING OF INTERMEDIATE BRACKET</p> 			<p>CON ANELLO ADATTATORE MIT ADAPTERRING AVEC BAGUE D'EPAISSEUR WITH ADAPTOR RING</p> <p>6D5.4370 : \varnothing 70 MM 6D5.4360 : \varnothing 60 MM</p> <p>CON SQUADRA UNIVERSALE 6A3.9611-6A3.9612-6A3.9642 MIT WINKELLAGER 6A3.9611-6A3.9612-6A3.9642 AVEC EQUERRE 6A3.9611-6A3.9612-6A3.9642 WITH SQUARE BRACKET 6A3.9611-6A3.9612-6A3.9642</p>	

3

Tipo Typ / Type / Type	Codice Art / Ref / Item	Dimensioni (mm) Abmessungen (mm) Dimensions (mm) Dimensions (mm)	Note Anmerkungen / Notes / Notes	Imballo Verpackung Condition Packing
<p>CUSCINETTO A SFERE CON FORO TONDO KUGELLAGER MIT RUNDLOCH ROULEMENT A BILLES AVEC TROU ROND BALL BEARING WITH ROUND HOLE</p> 	<p>6C3.5803</p> <p>6C3.5802</p>	<p>Ø 12 X = 17</p> <p>Ø 12 X = 13</p>	<p>BOCCOLA NYLON - INNENRING AUS NYLON NOYAU NYLON - NYLON BUSHING</p> <p>BOCCOLA FERRO - INNENRING AUS STAHL NOYAU ACIER - STEEL BUSHING</p>	<p>100</p> <p>100</p>
<p>CUSCINETTO A SFERE CON FORO QUADRO KUGELLAGER MIT VIERKANTLOCH ROULEMENT A BILLES AVEC TROU CARRE BALL BEARING WITH SQUARE HOLE</p> 	<p>6C3.5822</p>	<p>13 X = 10</p>	<p>BOCCOLA FERRO - INNENRING AUS STAHL NOYAU ACIER - STEEL BUSHING</p>	<p>100</p>
<p>CUSCINETTO A SFERE CON RONDELLA KUGELLAGER MIT SCHEIBE ROULEMENT A BILLES AVEC RONDELLE BALL BEARING WITH WASHER</p> 	<p>6C3.5810</p>		<p>BOCCOLA NYLON INNENRING AUS NYLON NOYAU NYLON NYLON BUSHING</p>	<p>100</p>

Tipo Typ / Type / Type	Codice Art / Ref / Item	Dimensioni (mm) Abmessungen (mm) Dimensions (mm) Dimensions (mm)	Note Anmerkungen / Notes / Notes	Imballo Verpackung Condition Packing
<p>CUSCINETTO A SFERE CON FORO TONDO KUGELLAGER MIT RUNDLOCH ROULEMENT A BILLES AVEC TROU ROND BALL BEARING WITH ROUND HOLE</p> 	<p>6C3.9112</p> <p>6C3.9012</p> <p>6C3.8110</p> <p>6C3.8112</p> <p>6C3.8012</p> <p>6C3.8001</p>	<p>A = Ø12 X = 0,5</p> <p>A = Ø12 X = 0,5</p> <p>A = Ø10 X = 2,0</p> <p>A = Ø12 X = 2,0</p> <p>A = Ø12 X = 2,0</p> <p>A = \square 10 X = 2,0</p>	<p>BOCCOLA NYLON - INNENRING AUS NYLON NOYAU NYLON - NYLON BUSHING</p> <p>BOCCOLA FERRO - INNENRING AUS STAHL NOYAU ACIER - STEEL BUSHING</p> <p>BOCCOLA NYLON - INNENRING AUS NYLON NOYAU NYLON - NYLON BUSHING</p> <p>BOCCOLA NYLON - INNENRING AUS NYLON NOYAU NYLON - NYLON BUSHING</p> <p>BOCCOLA FERRO - INNENRING AUS STAHL NOYAU ACIER - STEEL BUSHING</p> <p>BOCCOLA FERRO - INNENRING AUS STAHL NOYAU ACIER - STEEL BUSHING</p>	<p>400</p> <p>400</p> <p>400</p> <p>400</p> <p>400</p> <p>400</p>
<p>BOCCOLA LAUFRING NOYAU BUSHING</p> 	<p>6D3.8241</p>		<p>NYLON PER SUPPORTO ART. 6A3.9322/D-6A3.9322/S</p> <p>NYLON FÜR ANSCHRAUBLAGER ART. 6A3.9322/D-6A3.9322/S</p> <p>NYLON POUR SUPPORT A VISSER REF. 6A3.9322/D-6A3.9322/S</p> <p>NYLON FOR ROLLER TO SCREW ITEM 6A3.9322/D-6A3.9322/S</p>	<p>500</p>
<p>CUSCINETTO QUADRO VIERECKIGES KUGELLAGER ROULEMENT A BILLES CARRE SQUARE BALL BEARING</p> 	<p>6C3.5801</p>		<p>FERRO ZINCATO PER SUPPORTO ART. 6A3.5312</p> <p>VERZINKTER STAHL FÜR ANSCHRAUBLAGER ART. 6A3.5312</p> <p>ACIER GALVANISE POUR SUPPORT A VISSER REF. 6A3.5312</p> <p>GALVANIZED STEEL FOR ROLLER TO SCREW ITEM 6A3.5312</p>	<p>100</p>
<p>CUSCINETTO A SFERE PER FIANCHI KUGELLAGER FÜR BLENDEKAPPE ROULEMENT A BILLES POUR CONSOLE BALL BEARING FOR END CAP</p> 	<p>6D8.5109</p>		<p>NYLON</p>	<p>100</p>

Tipo Typ / Type / Type	Codice Art / Ref / Item	Dimensioni (mm) Abmessungen (mm) Dimensions (mm) Dimensions (mm)	Note Anmerkungen / Notes / Notes	Imballo Verpackung Condition / Packing
<p>BUTTERFLY</p> <p>SUPPORTO PER LT50/IPSO LAGER FÜR LT50/IPSO SUPPORT POUR LT50/IPSO BRACKET FOR LT50/IPSO</p> 	<p>6D3.5409</p> <p>6D3-5409/100</p> <p>NEW</p>		<p>PER FIANCHI MINI, DOMINO, DOMINOSOFT FÜR MINI-BLENDENKAPPEN, DOMINO, DOMINOSOFT POUR CONSOLES MINI, DOMINO, DOMINOSOFT FOR MINI SIDE-FRAMES, DOMINO, DOMINOSOFT</p>	<p>10</p> <p>100</p>
<p>BUTTERFLY</p> <p>SUPPORTO PER MSR/MSHZ LAGER FÜR MSR/MSHZ SUPPORT POUR MSR/MSHZ BRACKET FOR MSR/MSHZ</p> 	<p>6D3.5411</p> <p>6D3.5411/100</p> <p>NEW</p>	<p>125-205</p>	<p>PER FIANCHI MINI, DOMINO, DOMINOSOFT FÜR MINI-BLENDENKAPPEN, DOMINO, DOMINOSOFT POUR CONSOLES MINI, DOMINO, DOMINOSOFT FOR MINI SIDE-FRAMES, DOMINO, DOMINOSOFT</p>	<p>10</p> <p>100</p>
<p>BUTTERFLY</p> <p>SUPPORTO PER T5/T5HZ LAGER FÜR T5/T5HZ SUPPORT POUR T5/T5HZ BRACKET FOR T5/T5HZ</p> 	<p>6D3.5413</p> <p>6D3.5413/100</p> <p>NEW</p>		<p>PER FIANCHI MINI, DOMINO, DOMINOSOFT FÜR MINI-BLENDENKAPPEN, DOMINO, DOMINOSOFT POUR CONSOLES MINI, DOMINO, DOMINOSOFT FOR MINI SIDE-FRAMES, DOMINO, DOMINOSOFT</p>	<p>20</p> <p>100</p>
<p>CPE</p> <p>SUPPORTO UNIVERSALE UNIVERSALLAGER SUPPORT UNIVERSEL UNIVERSAL BRACKET</p> 	<p>6D3.5415</p> <p>NEW</p>		<p>PER T3.5 - T5/T5HZ - MSR/MSHZ FÜR T3.5 - T5/T5HZ - MSR/MSHZ POUR T3.5 - T5/T5HZ - MSR/MSHZ FOR T3.5 - T5/T5HZ - MSR/MSHZ</p>	<p>10</p>

Tipo Typ / Type / Type	Codice Art / Ref / Item	Dimensioni (mm) Abmessungen (mm) Dimensions (mm) Dimensions (mm)	Note Anmerkungen / Notes / Notes	Imballo Verpackung Condition Packing
	3A1904015/FZ	Ø 4 L = 15	PER SUPPORTO 6D3.5415 FÜR LAGER 6D3.5415 POUR SUPPORT 6D3.5415 FOR BRACKET 6D3.5415	200
	3A1905015/FZ <div style="background-color: black; color: white; padding: 2px; display: inline-block;">NEW</div>	Ø 5 L = 15	PER SUPPORTO 6D3.5415 FÜR LAGER 6D3.5415 POUR SUPPORT 6D3.5415 FOR BRACKET 6D3.5415	200