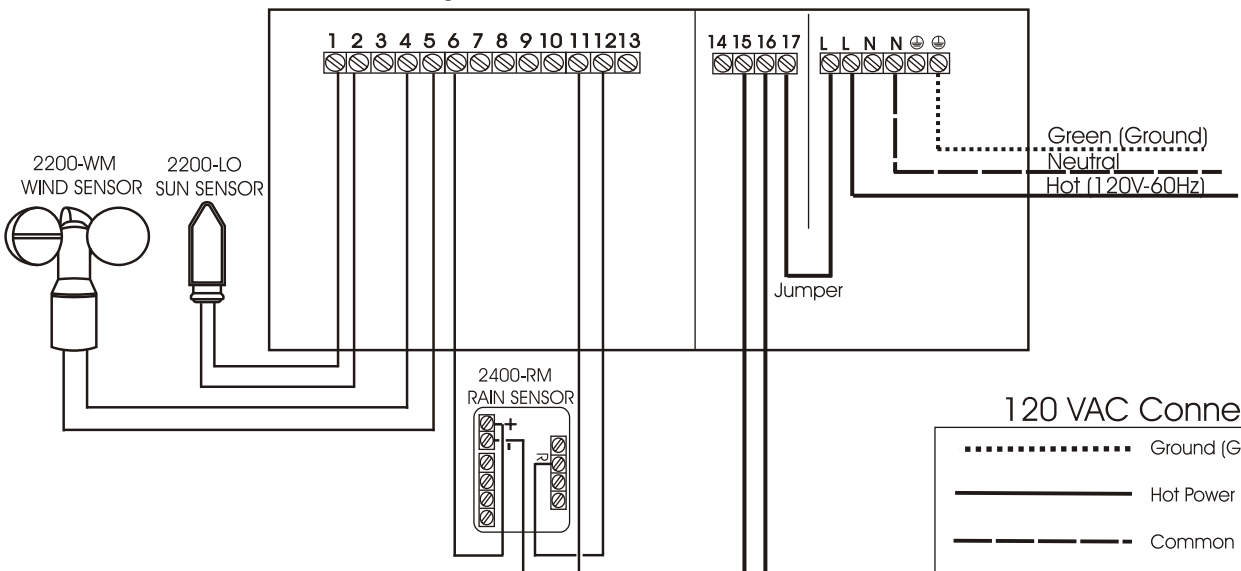


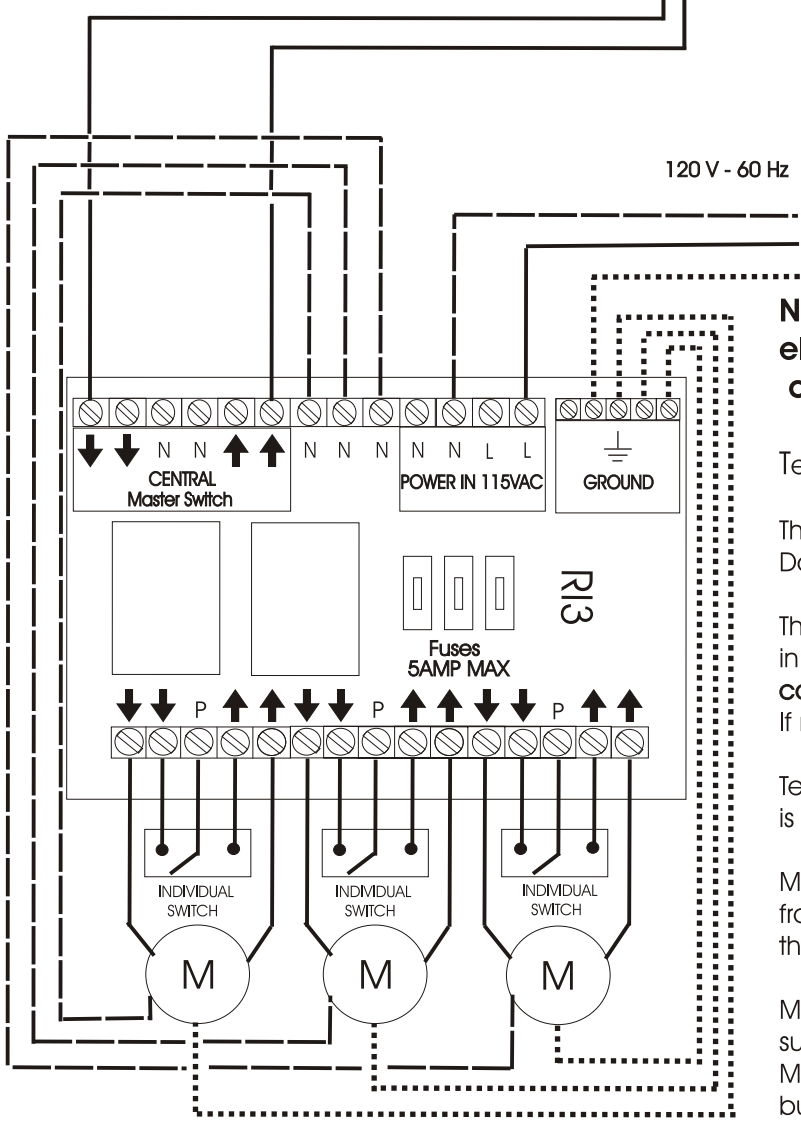
Low Voltage Connections 120 VAC Connections



120 VAC Connections

- Ground (Green) \perp
- Hot Power L1 (Black)
- - - - Common N (White)
- M Motor
- P Power to Ind. Switch
- ↓↑ Motor Direction (Red/Black)

Note: Connections are only at terminals



Notice: For installation by a qualified electrician in accordance with national and local electrical codes.

Terminals 6 through 13 are on Pro versions only

The 2200 control is for inside use only. Do not install in an exposed location.

The up button on the face plate controls the 2200 in the same direction as the wind sensor. **You must confirm the up button retracts the window covering.** If not, reverse the red and black motor wires.

Terminals 1 thru 13 are low voltage. 18 gage wire is acceptable for connections up to 100 feet.

Mount the wind sensor high enough and away from obstructions to allow free wind flow past the sensor.

Mount the sun sensor toward the direction of the sun the window covering will be protecting from. Make sure the sensor is not shaded by trees or building structures. Do not mount the sun sensor behind glass as this will reduce the sensitivity.