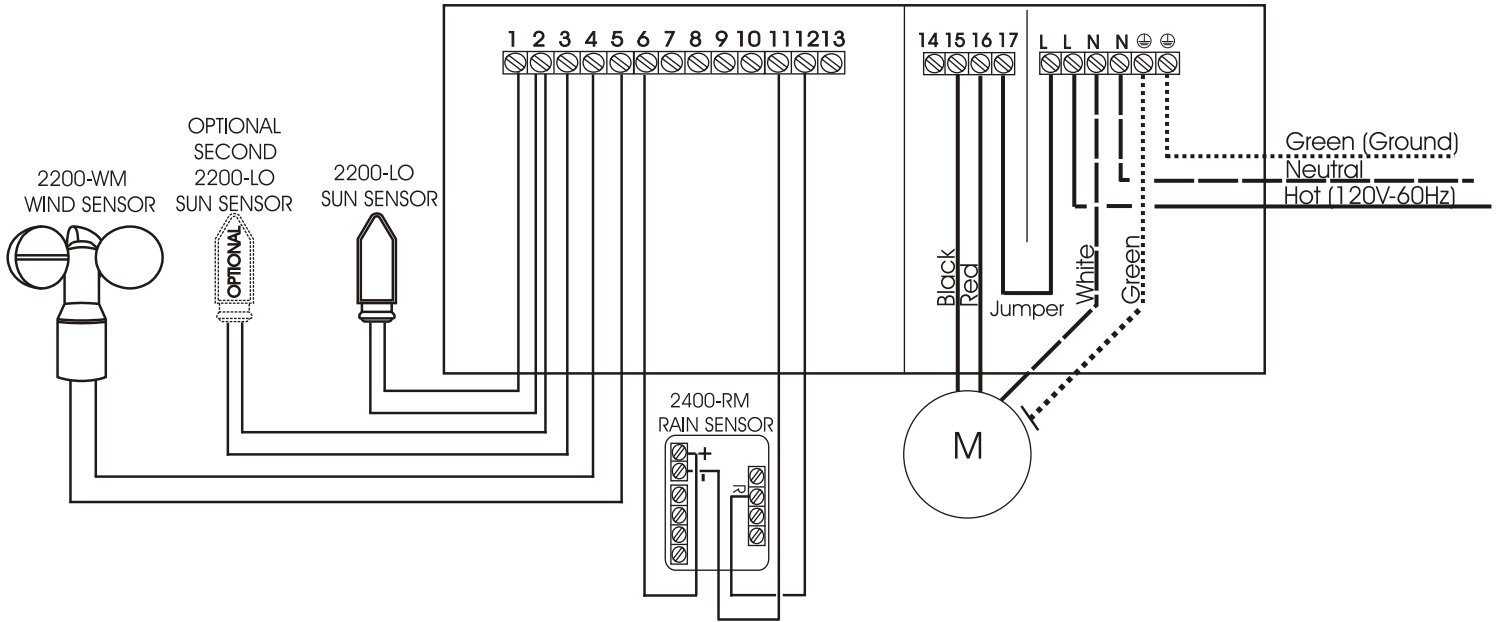
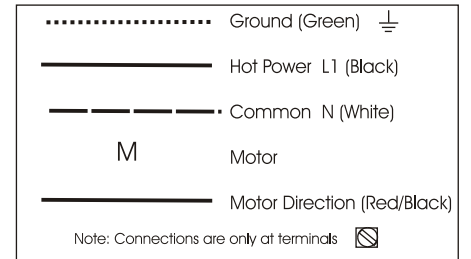


Low Voltage Connections

120 VAC Connections



120 VAC Connections



Notice: For installation by a qualified electrician in accordance with national and local electrical codes.

Terminals 6 through 13 are on Pro versions only

The 2200 control is for inside use only. Do not install in an exposed location.

The up button on the face plate controls the 2200 in the same direction as the wind sensor. **You must confirm the up button retracts the window covering.** If not, reverse the red and black motor wires.

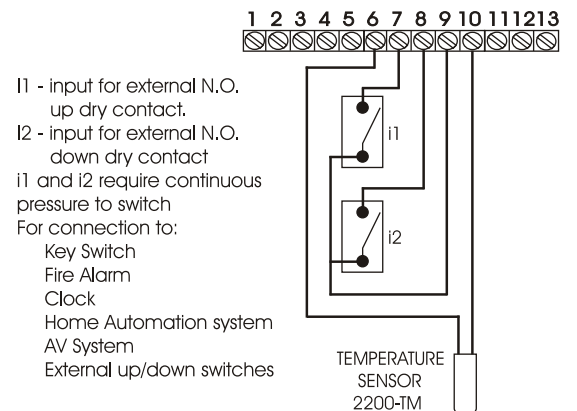
Terminals 1 thru 13 are low voltage. 18 gage wire is acceptable for connections up to 100 feet.

Mount the wind sensor away from obstructions and high enough to allow free wind flow past the sensor.

Mount the sun sensor toward the direction of the sun the window covering will be protecting from. Make sure the sensor is not shaded by trees or building structures. Do not mount the sun sensor behind glass as this will reduce the sensitivity.

Do not connect more than one motor directly to the 2200. For control of multiple motors by one 2200 use Ri2 and Ri3 group controls. (See following pages for diagrams)

Other Low Voltage Connections



Note: The connection of the temperature sensor shown is for the 2200 Recessed. The surface mount 2200 Pro allows the temperature sensor to be plugged into the top of the unit.